



[promultis]

varitiltpro



Electric Screen
Angle Tilt



Electric Height
Adjustable

- Portable electric height & tilt adjust
- Use as table, lectern or presentation screen
- High brightness, 1080p or 4K, LED screen
- Discreet PC cage included
- Perfect for schools, SEN, training rooms, etc...
- Includes professional floor levelling castors

The ProMultis Vari Tilt Pro is our mid-range, electric height and tilt adjustable large screen multitouch solution, incorporating our professional, high brightness, 1080p or 4K, LED screens and cutting edge multi touch technology.



Promultis can create bespoke multiuser collaborative content for the touch screen [click here](#) for website examples



[promultis] varitiltpro

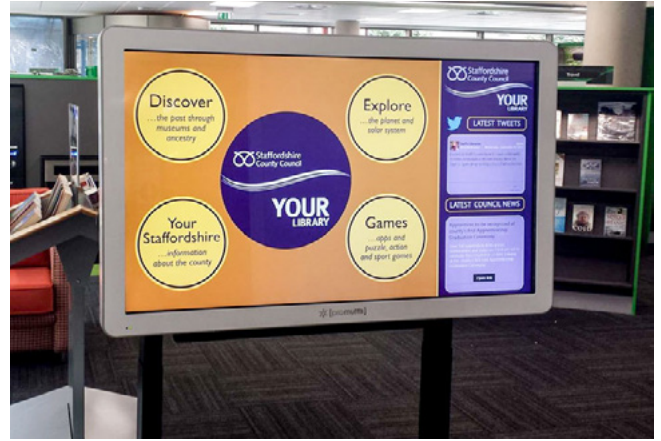
For more exciting multitouch products visit
www.promultis.info
or call +44 (0) 239 251 2794

Features

Giving you increased flexibility and portability without compromising stability and strength

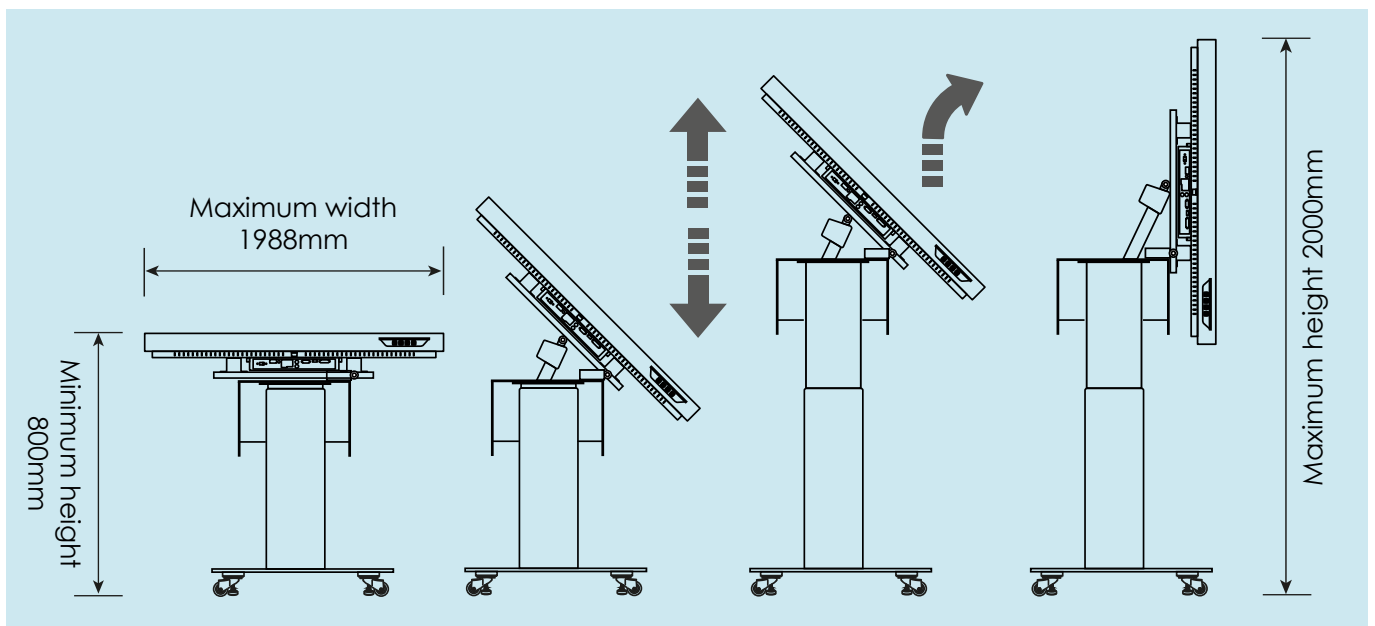
The Varitilt Pro is our mid-range model and is constructed for screen sizes up to 65". The height elevation is adjusted by two powered columns to provide stability and finite adjustment. This allows the platform to be lifted or lowered, at the touch of a remote control, to the desired height and to be lowered for stable mobility.

With its floor levelling castors the Promultis Varitilt Pro can be moved easily from room to room.



Screen Dimensions

	Width	Height	Depth	Screen visible area
46"	1137mm	692mm	128.5mm	1018 x 573mm
48"	1156mm	701mm	128.5mm	1040 x 585mm
55"	1336mm	806mm	128.5mm	1218 x 685mm
65"	1564mm	940mm	128.5mm	1438 x 810mm



Touch Technology

INFRA RED TOUCH TECHNOLOGY

Touch Points	10, 16/20 & 32
Touch sensitive to	Finger, Opaque object, Stylus
Sunlight Sensitivity	Can be used in direct sunlight
Interpolation	32,768x32,768
Response time	Repeated touch <6ms
Drift	None
Temperature	-20°C~60°C
Accuracy	±2mm
Interface	USB-2
Relative Humidity	10%~90%RH
Supported OS	Windows, MAC, Linux, Android

PROJECTIVE CAPACITIVE TOUCH TECHNOLOGY

Detection method	Projected Capacitive Technology
Input method	Finger and gloved finger
Number of simultaneous touches	100
Noise Shielding	DISPLAX XTR-Shield™ Plus, a proprietary noise filtering technology
Aspect ratio	16:9
Controller	Printed circuit board with mini USB connector
Adhesive	Permanent
Substrate	Toughened Glass
Interface	HID
OS with multitouch	Windows 8.1, 8, 7, 10; Ubuntu 12.04; Android**; Chrome OS
OS with single touch	Mac OS X Yosemite
OS with mouse emulation	Spinetix Media Player HMP 200
Data connectivity	USB 2.0
Touch accuracy	1mm absolute
Sensor weight	260 g
Controller weight	60 g

PERFORMANCE

Substrate thickness	Up to 6mm
Touch response	5 milliseconds
Calibration	Available using control panel: no drift

POWER CONSUMPTION

Average power consumption (P)	USB powered @ 5V
	Peak consumption: 410 mA
	Operation consumption: 370mA

Specification

CHASSIS FEATURES	
Materials	Aluminum & steel
Colour	Silver trolley unit and black base
Mobility	4 industrial strength, lockable castors wheels
SCREEN	
Diagonal Size	46" 48" 55" 65"
Glass type	Toughened full transmittivity
Panel resolution (pixels)	920 x 1080 (HD) or 3840 x 2160 (UHD 4K)
Brightness (nits)	450
Contrast ratio	1500 to 1
Response time	6ms
Aspect ratio	16x9
Display colours	1.07B
LCD Illumination	Backlit LED
Pixel pitch	0.744 (mm)
Viewing angle	horizontal / vertical 178° / 178°
CONNECTIVITY	
Video input (analogue)	D-sub, Component, Composite
Video input (digital)	HDMI, DVI
Video output (analogue)	D-sub VGA
Audio input	HDMI, DVI, RS458
Speaker output	6 Ohm
USB (for touch)	USB-B
Communication input port RS485	RS485
Communication output port RS485	RS485
MTBF	40,000 hours
Power consumption	< 250 watts
Power consumption sleep mode	< 0.75 watts
MTBF	840,000 hours
Speakers	80mm dia 20watts
Green approvals	Lead free, RoHS compliant
Regulatory approvals	CE / FCC
SHIPPED WITH	
USB cable	1.7 metres
HDMI cable	1.7 metres
VGA cable	1.4 metres
Power cable	1.7 metres
Audio cable	1.7 metres
Remote control + batteries	Included
Screen freeze function	On remote control
SERVICE AND WARRANTY	
3 year on-site warranty as standard	
Extended warranties and SLA's available at an additional cost	

