



[promultis]

unotable



Up to 32  
IR Touch  
Points



Large  
Lockable  
PC cabinet



Optional  
Integrated  
PC



4K UHD  
available

- Sleek, modern contemporary design
- Lockable PC cage and cable management
- High brightness, 1080p or 4K, LED screen
- For classrooms, museums, boardrooms
- Easy access from all sides



Promultis can create bespoke multiuser collaborative content for the table

[click here](#) for website examples

includes

**Snowflake** Ultimate Suite [35 Multitouch Applications] or **Snowflake** ABC Suite [Education Multitouch Apps]

Alternative software option

**RM easiteach** and **DisplayNote**

5 License

*Contemporary, slim multi user tables incorporating a professional, high brightness, 1080p or 4K, LED screen and cutting edge multi touch technology, giving you the full collaborative solution.*



[promultis] unotable

For more exciting multitouch products visit [www.promultis.info](http://www.promultis.info) or call +44 (0) 239 251 2794

**The Promultis Uno Table is a complete LED HD or 4K UHD multitouch, interactive, collaborative surface solution that integrates the latest touch screen technology into a collaborative table.**

The Promultis Uno Table delivers a unique user experience, where the physical and digital worlds blend. Encouraging interaction, exploration and collaboration, our multitouch Uno Tables are guaranteed to draw a crowd and retain that crowd for a longer time!

With optimum standing height, the Uno Table has a centre column, allowing seamless access to every side of the touch surface, enabling full collaboration from any angle.

With a heavy duty stylish base able to hold virtually any size screen with the option of lockable doors, the Promultis Uno Table gives you the a wide range of options.



With a bright, clear 1080p or 4K LED screen, the Promultis Uno Table provides a large working surface area allowing several users to collaborate from any angle.

Projected capacitive technology enables touch points to be sensed through a protective layer in front of the display, this means the table top can have an almost completely flat surface.

Ideal for media rooms, hospitality suites, meeting rooms, brain-storming spaces and training areas.



### Uno Table dimensions

	Width	Depth	Height
42"	1046 mm	639 mm	928.5 mm
46"	1137 mm	692 mm	928.5 mm
48"	1156 mm	701 mm	928.5 mm
55"	1336 mm	806 mm	928.5 mm
65"	1564 mm	940 mm	928.5 mm
70"	1677 mm	1000 mm	928.5 mm

# Touch Technology

## INFRA RED TOUCH TECHNOLOGY

Touch Points	10, 16/20 & 32
Touch sensitive to	Finger, Opaque object, Stylus
Sunlight Sensitivity	Can be used in direct sunlight
Interpolation	32,768x32,768
Response time	Repeated touch <6ms
Drift	None
Temperature	-20°C~60°C
Accuracy	±2mm
Interface	USB-2
Relative Humidity	10%~90%RH
Supported OS	Windows, MAC, Linux, Android

## PROJECTIVE CAPACITIVE TOUCH TECHNOLOGY

Detection method	Projected Capacitive Technology
Input method	Finger and gloved finger
Number of simultaneous touches	100
Noise Shielding	DISPLAX XTR-Shield™ Plus, a proprietary noise filtering technology
Aspect ratio	16:9
Controller	Printed circuit board with mini USB connector
Adhesive	Permanent
Substrate	Float Glass, Gorilla Glass
Interface	HID
OS with multitouch	Windows 8.1, 8, 7*: Ubuntu 12.04**, Android**, Chrome OS***
OS with single touch	Mac OS X Yosemite
OS with mouse emulation	Spinetix Media Player HMP 200
Data connectivity	USB 2.0
Touch accuracy	1mm absolute
Sensor weight	260 g
Controller weight	60 g

## PERFORMANCE

Substrate thickness	Up to 6mm
Touch response	5 milliseconds
Calibration	Available using control panel: no drift

## POWER CONSUMPTION

Average power consumption (P)	USB powered @ 5V
	Peak consumption: 410 mA
	Operation consumption: 370mA

\* Home Premium SP1; Professional SP1 Ultimate x64 SP1

\*\* Depending on kernel and multitouch support.

\*\*\* 39.0.2171.85(64 bit)

# Specification

## CHASSIS FEATURES

Materials	Aluminum
Colour	Black base unit
Central column Dimensions	800mm (w) x 500mm (l) x 800mm (h)
Ruggedness	Case stiffened for robust touch use and screen mounting

## SCREEN

Diagonal Size	42"   46"   48"   55"   65"   70"
Glass type	Toughened full transmittivity
Panel resolution (pixels)	920 x 1080 (HD) or 3840 x 2160 (UHD 4K)
Brightness (nits)	450
Contrast ratio	1500 to 1
Response time	6ms
Aspect ratio	16x9
Display colours	1.07B
LCD Illumination	Backlit LED
Pixel pitch	0.744 (mm)
Viewing angle	horizontal / vertical 178° / 178°

## CONNECTIVITY

Video input (analogue)	D-sub, Component, Composite
Video input (digital)	HDMI, DVI
Video output (analogue)	D-sub VGA
Audio input	HDMI, DVI, RS458
Speaker output	6 Ohm
USB (for touch)	USB-B
Communication input port RS485	RS485
Communication output port RS485	RS485
MTBF	40,000 hours
Power consumption	< 250 watts
Power consumption sleep mode	< 0.75 watts
MTBF	840,000 hours
Speakers	80mm dia 20watts
Green approvals	Lead free, RoHS compliant
Regulatory approvals	CE / FCC

## SHIPPED WITH

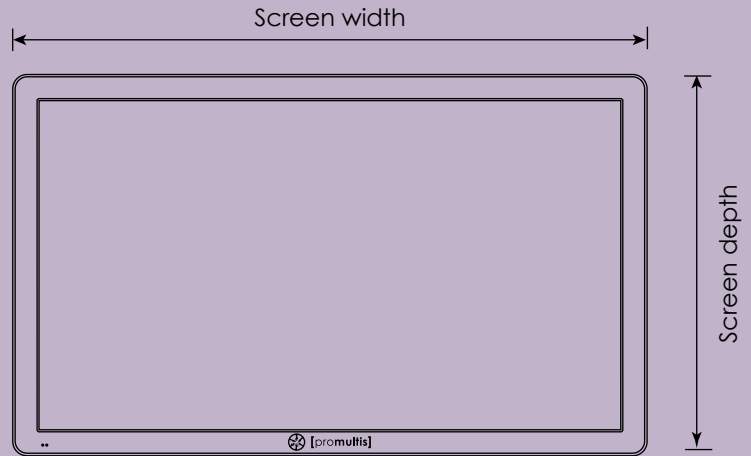
USB cable	1.7 metres
HDMI cable	1.7 metres
VGA cable	1.4 metres
Power cable	1.7 metres
Audio cable	1.7 metres
Remote control + batteries	Included
Screen freeze function	On remote control

## SERVICE AND WARRANTY

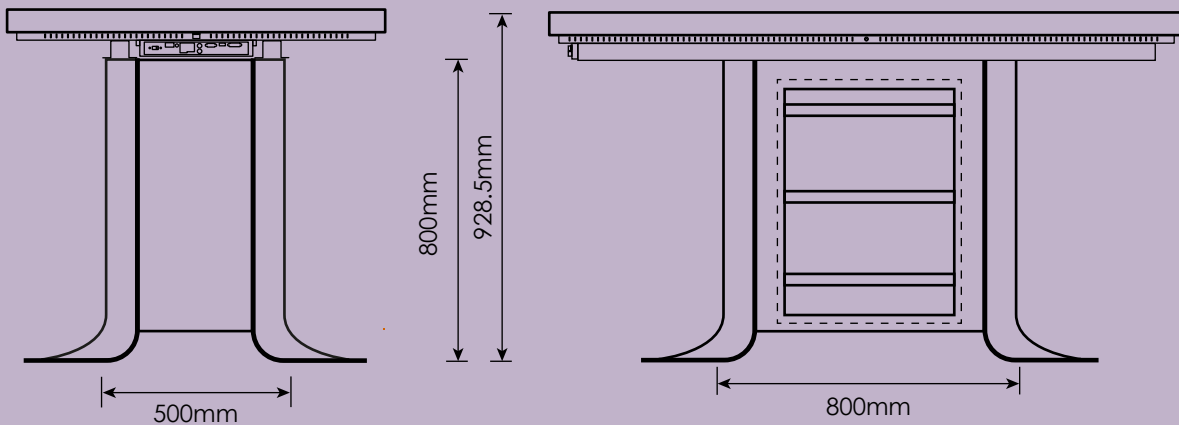
3 year repair or replace warranty as standard
Extended warranties and SLA's available at an additional cost



# Specification



Infra Red Screen



Projective Capacitive Screen

