



[promultis]

totem2

- Stylish aluminium and steel housing
- High brightness, 1080p or 4K, LED screen
- PC integration within chassis
- Perfect for retail, universities, wayfinding
- Rebrandable housing and software
- PoS and card reader available
- Outdoor models available



Create an inviting and immersive information point with the Promultis Totem 2. Collaborate with and inform your target audience via a professional, high brightness, 1080p or 4K, LED multitouch screen surface. All within a stylish housing.

Totem 2			
10 Touch	32"	46"	55"
Totem 2 (double sided)			
10 Touch	47"	55"	



[promultis] totem2

For more exciting multitouch products visit
www.promultis.info
 or call +44 (0) 239 251 2794

Do you require eye catching multi-touch point of sale, wayfinding or digital signage for your reception area or exhibition stand? If so then the tablet like Promultis Totem 2 is perfect for you.

Versatility combined with style and technology from shopping malls and university wayfinding solutions, to restaurant ordering and airport timetables, the ProMultis Totem2 gives you a whole world of possibilities.

Infra-red cell imaging technology uses a thin metal frame overlay and projects an array of LED beams which cross each other vertically and horizontally. This allows detection of any input, including a finder, gloved finger, stylus or pen.



If you require a touch screen solution that performs reliably in public spaces and can be used to collaborate with and inform your target audience then the Promultis Totem2 is the product for you.

Applications

- Retail Environments
- Exhibitions & Events
- Corporate Spaces
- Hospitality
- Transportation
- Entertainment
- Museum & Galleries



Specification

CHASSIS FEATURES

Materials	Aluminum & Steel
-----------	------------------

TOUCH TECHNOLOGY

Detection method	InfraRed 10 touch points
Touch sensitive to:	Finger, Opaque object, Stylus
Sunlight Sensitivity	Can be used in direct sunlight
Interpolation	32,768x32,768
Response time	Repeated touch <6ms
Drift	None
Temperature	-20°C~60°C
Accuracy	±2mm
Interface	USB-2
Relative Humidity	10%~90%RH
Supported OS	Windows, MAC, Linux, Android

Glass type	Toughened full transmittivity
------------	-------------------------------

PANEL

Diagonal Size	32" 46" 55"
Glass type	Toughened full transmittivity
Panel resolution	1920 x 1080
Native resolution	1920 x 1080 60Hz
Brightness (nits)	450
Contrast ratio	1500 to 1
Response time	6ms
Aspect ratio	16x9
Display colours	1.07B
Viewing angle	horizontal / vertical 178° / 178°
Pixel pitch	0.744 (mm)
LCD Illumination	Backlit LED

CONNECTIVITY

Video input (analogue)	D-sub, Component, Composite
Video input (digital)	HDMI, DVI
Video output (analogue)	D-sub VGA
Audio input	HDMI, DVI, RS458
Speaker output	6 Ohm
USB (for touch)	USB-B
Communication input port RS485	RS485
Communication output port RS485	RS485
MTBF	40,000 hours
Power consumption	< 250 watts
Power consumption sleep mode	< 0.75 watts
Speakers	80mm dia 20watts
Green approvals	Lead free, RoHS compliant
Regulatory approvals	CE / FCC
Toughened glass depth	4mm

POWER

MTBF	40,000 hours
Power consumption	< 250 watts
Power consumption sleep mode	Power consumption sleep mode

SHIPPED WITH

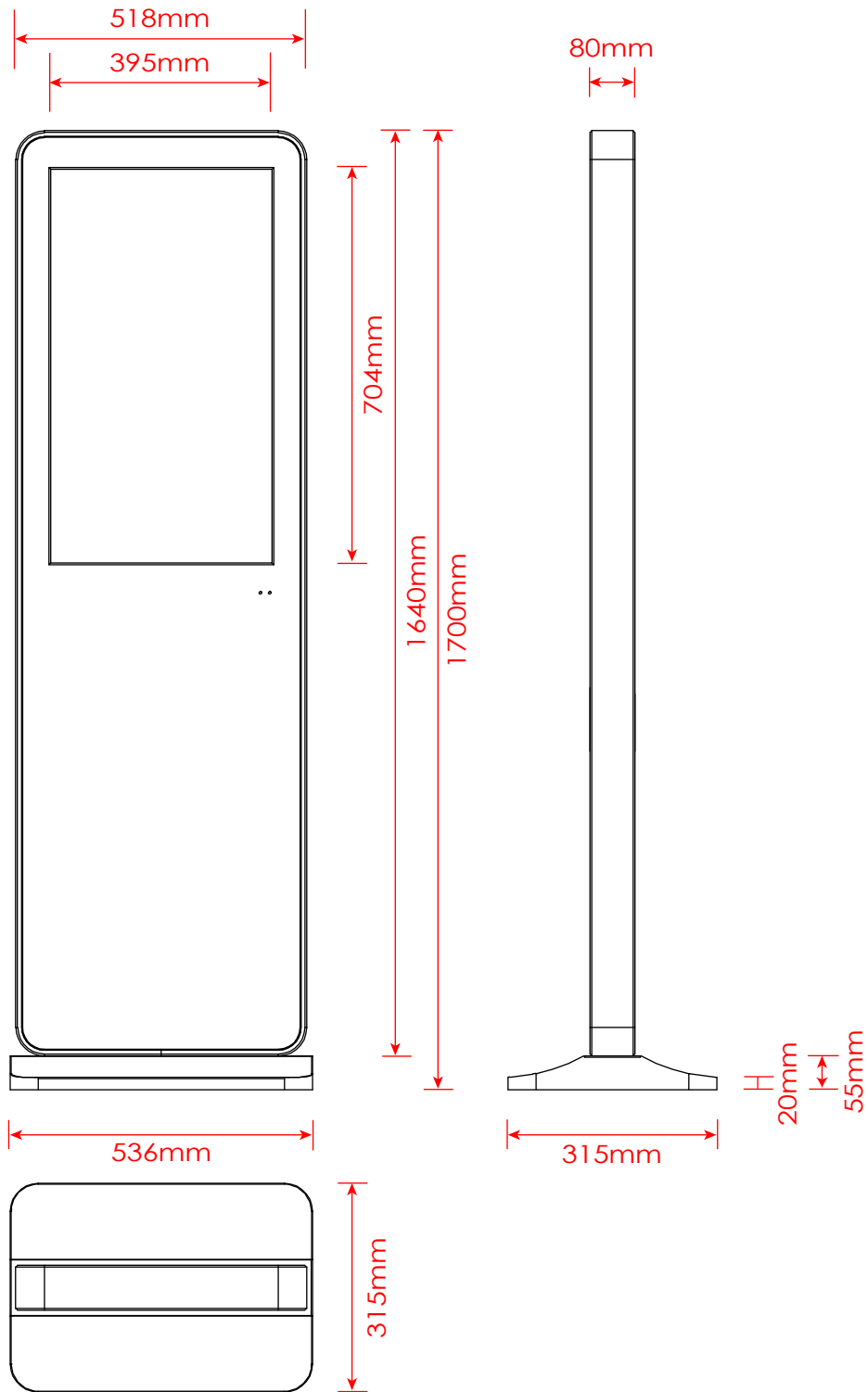
Remote control + batteries	Included
Screen freeze function	On remote control

SERVICE & WARRANTY

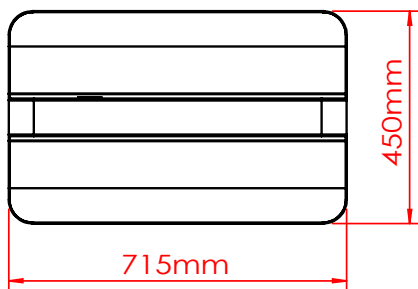
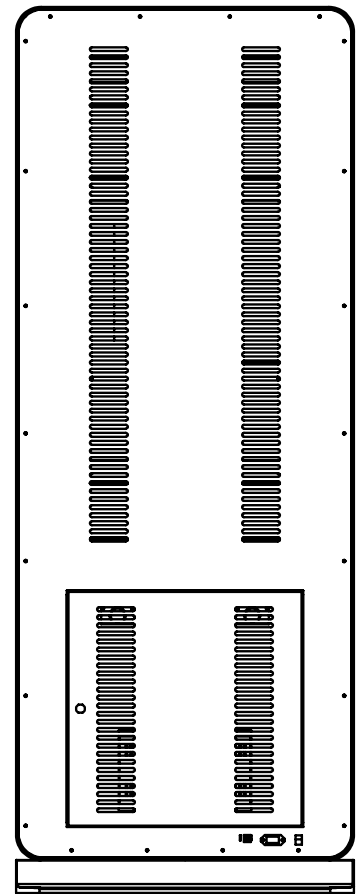
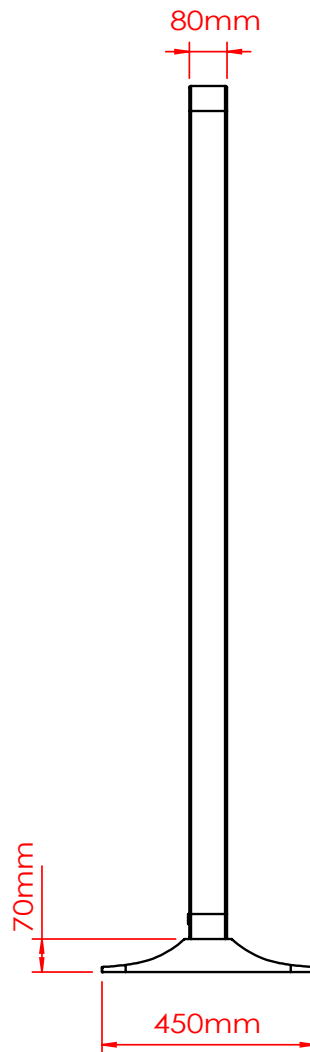
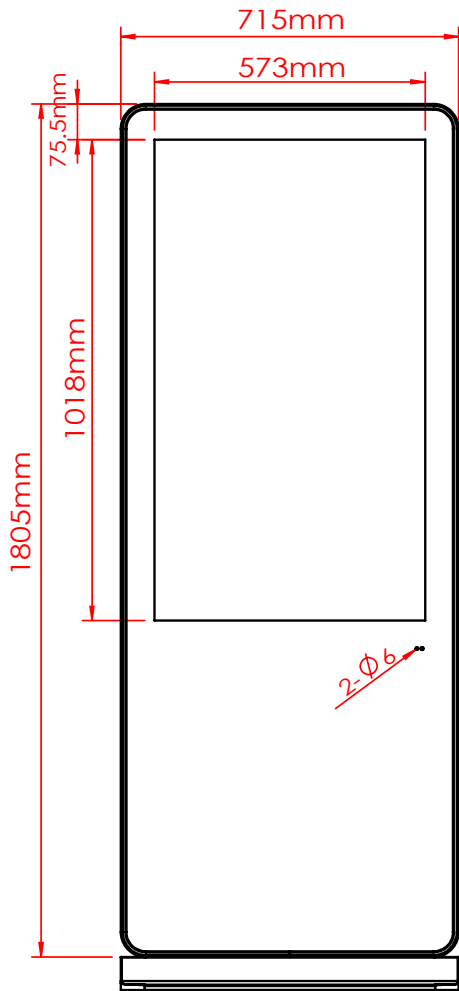
3 year repair or replace warranty as standard
Extended warranties and SLA's available at an additional cost



32" Totem 2



46" Totem 2



55" Totem 2

