



[promultis]

Uno Elite Table

Large electric height adjustable collaborative table with easy access from all sides. Ideal for Conference Rooms, Hospitality Suites, Training Areas and Trade Shows.

48" TO 86" INTERACTIVE AREAS AVAILABLE

100 TOUCH POINTS WITH PROJECTED CAPACITIVE TECHNOLOGY

32 TOUCH POINTS WITH INFRARED TECHNOLOGY

EXTERNAL USB PORTS

OPTIONAL i5 or i7 PC

SECURE PC COMPARTMENT AND CABLE MANAGEMENT

HDMI, VGA AND USB CONNECTIVITY

EASY ACCESS ALL SIDES

4K UHD, BACK-LIT LED SCREEN

TEMPERED GLASS

INTEGRATED Wi-Fi

ELECTRIC HEIGHT ADJUSTABLE

3 YEAR REPAIR OR REPLACE WARRANTY

CHASSIS FEATURES

Materials	Aluminum & Steel
Glass type	Toughened
Lockable Cabinet	Cable Mangement and PC shelf
Base	Heavy Duty Feet
Weight	180kg

PANEL

Screen Options	48" 55" 65" 75" 84"
Panel resolution	4K UHD 3840 x 2160
Native resolution	3840 x 2160 60Hz
Brightness (nits)	450
Contrast ratio	1500 to 1
Response time	6ms
Aspect ratio	16x9
Viewing angle	horizontal / vertical 178° / 178°
Pixel pitch	0.744 (mm)
LCD Illumination	Backlit LED
Speakers	10W x2

ENVIRONMENT

Operating temperature	50°F to 104°F (10°C to 40°C)
Operating Humidity	10% to 80%, non-condensing
Storage Temperature	-4°F to 113°F (-20°C to 45°C)
Storage Humidity	5% to 95%, non-condensing

SHIPPED WITH

Cables	Power USB HDMI
Remote control	Included
Screen freeze function	On remote control
User manual	Included

WARRANTY

3 year on-site warranty as standard

PROJECTED CAPACITIVE TECHNOLOGY

Detection method	Projected Capacitive
Input method	Finger and gloved finger
Number of simultaneous touches	100
Noise Shielding	DISPLAX XTR-Shield™ Plus, a proprietary noise filtering technology
Aspect ratio	16:9
Controller	Printed circuit board with mini USB connector
Adhesive	Permanent
Substrate	Toughened Glass
Interface	HID
OS with multitouch	Windows 8.1, 8, 7, 10; Ubuntu 12.04; Android; Chrome OS
OS with single touch	Mac OS X Yosemite
OS with mouse emulation	Spinetix Media Player HMP 200
Data connectivity	USB 2.0
Touch accuracy	1mm absolute
Sensor weight	260 g
Controller weight	60 g

PERFORMANCE

Substrate thickness	Up to 6mm
Touch response	5 milliseconds
Calibration	Available using control panel: no drift

INFRARED TECHNOLOGY

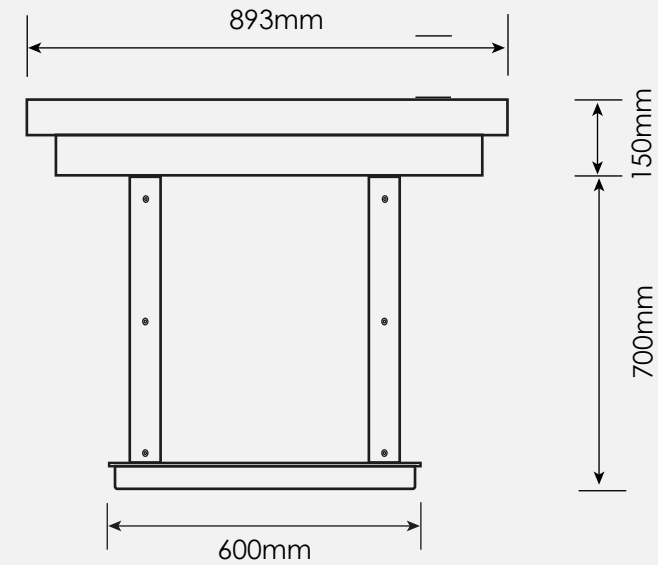
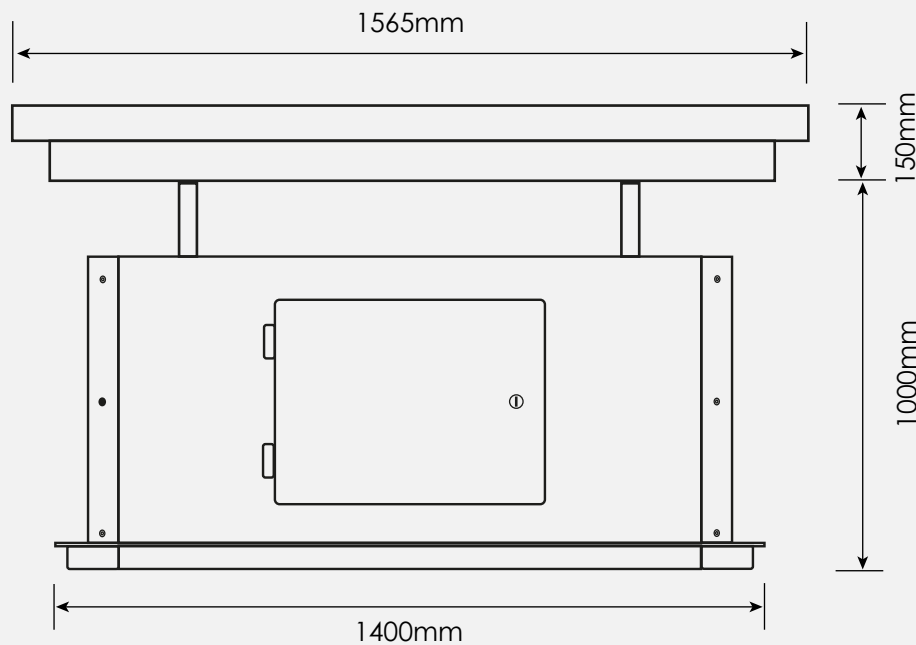
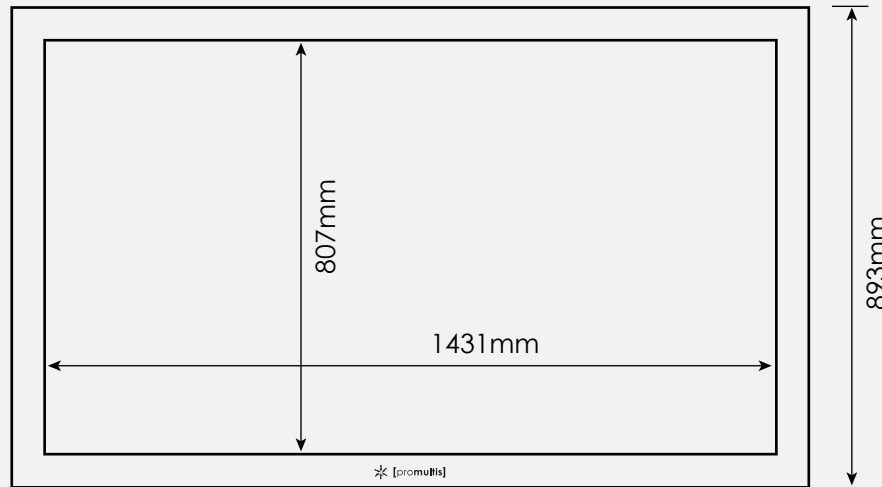
Detection method	InfraRed
Input method	Finger, Opaque object, Stylus
Number of simultaneous touches	32
Interpolation	32,768x32,768
Response time	Repeated touch <6ms
Accuracy	±2mm
Interface	USB 2.0





[promultis]

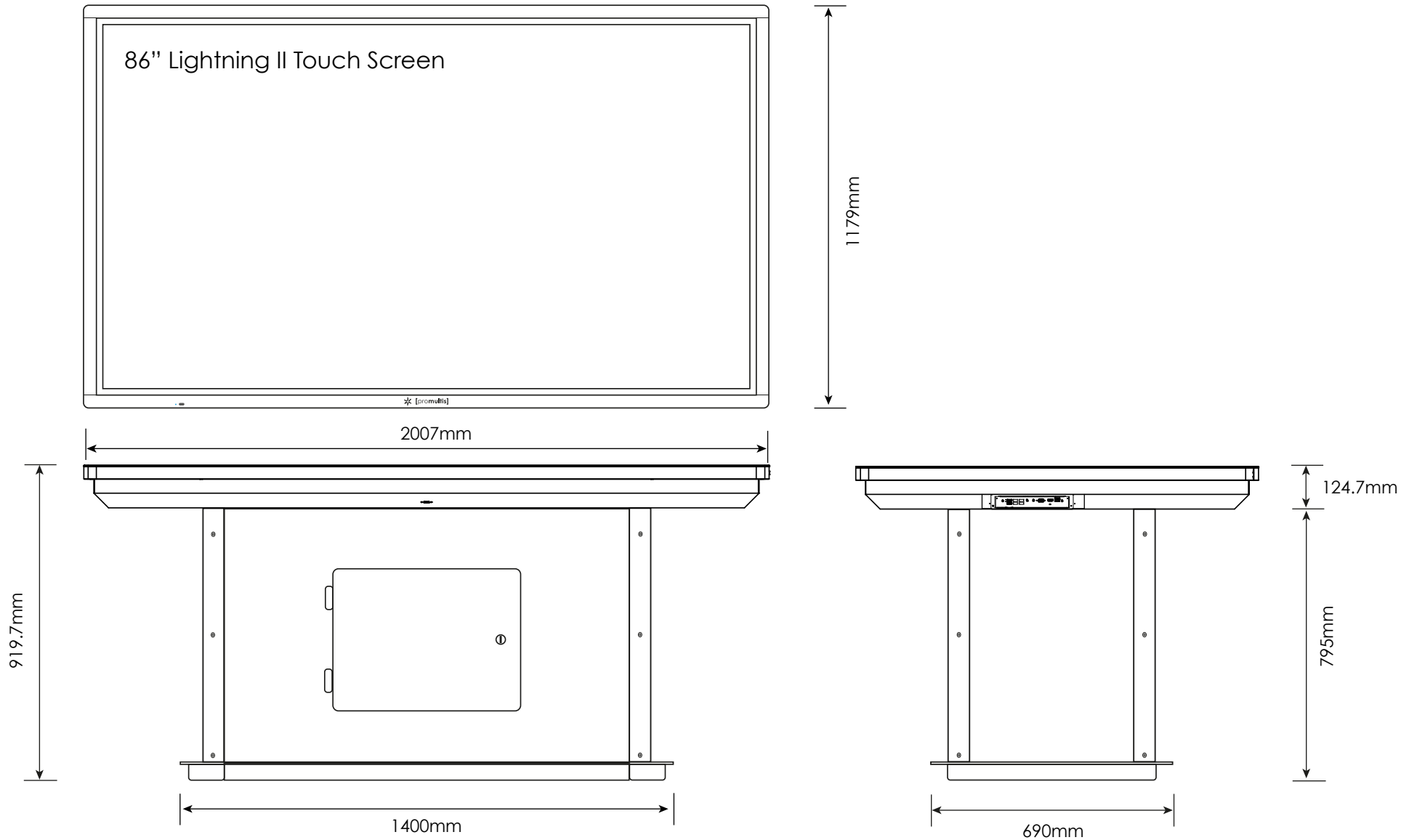
65" Uno Table with projected capacitive interactive area





[promultis]

86" Uno Table with infrared interactive area



[promultis]
MULTITOUCH SOLUTIONS

Uno Elite Table

For more exciting multitouch products visit
www.promultis.info
or call +44 (0) 239 251 2794