



[promultis]

# Electra Touch Screen

Offering up to 4K UHD, the picture quality is excellent and the touch response is superb. The screen is perfect for Business, Education and Commercial use



10 PCAP Touch Points



Integrated Webcam



Wall Bracket Included

32" | 43"

Screen sizes available



HDMI & USB Connectivity



Anti-bacterial film option  
Currently being tested for COVID-19



Integrated Android 9  
Use without a connected PC



3 Year Repair or Replace Warranty



[promultis]  
MULTITOUCH SOLUTIONS

For more exciting multitouch products visit  
[www.promultis.info](http://www.promultis.info)  
or call +44 (0) 239 251 2794

SCREEN		32"
Visible area	32" (698mm x 392mm )	
Resolution	1920 x 1080 HD	
Contrast Ratio	3500:1	
Brightness (Nits)	300	
Response Time	8ms	
Viewing angle	horizontal/vertical 176°	
Colours	16.7M (8bit)	
Lifespan	> 30,000 Hours	

#### CHASSIS FEATURES

Material	Metal & Aluminium	
Glass	Tempered Glass (3mm)	
Colour	Black	
Dimensions (mm w/o Wall Bracket)	H: 458 x W: 764 x D: 46	
Dimensions (mm with Wall Bracket)	H: 458 x W: 764 x D: 57	
Weight	12.9 kg (Approx)	

#### TOUCH TECHNOLOGY

PCAP	10 touch points	
------	-----------------	--

#### MAIN BOARD

Menu Language	English	
CPU	Cortex A17+ Quad Core GPU Mali-T764 1.8GHz	
RAM	2GB	
ROM	16GB	
Android Version	Android 9.0	

#### CONNECTIVITY

HDMI Input(s)	1	
Headphone Output(s)	1 (Mini Jack)	
USB 2.0 Port(s)	2	
LAN Port(s)	1	
SD	1 (Micro SD)	

#### SOUND

Audio Power Output (RMS)	5W x2	
Speaker Position	Left & Right	

#### OTHER

Input Voltage	100V~240V 50/60Hz	
Power Consumption (in Operation)	<=55W	
Power Consumption (in Standby)	<=1W	

SCREEN		43"
Visible area	43" (941mm x 529mm )	
Resolution	3840 x 2160 UHD	
Contrast Ratio	5000:1	
Brightness (Nits)	350	
Response Time	8ms	
Viewing angle	horizontal/vertical 176°	
Colours	16.7M (8bit)	
Lifespan	> 30,000 Hours	

#### CHASSIS FEATURES

Material	Metal & Aluminium	
Glass	Tempered Glass (4mm)	
Colour	Black	
Dimensions (mm w/o Wall Bracket)	H: 594 x W: 1006 x D: 46	
Dimensions (mm with Wall Bracket)	H: 594 x W: 1006 x D: 57	
Weight	21.6 kg (Approx)	

#### TOUCH TECHNOLOGY

PCAP	10 touch points	
------	-----------------	--

#### MAIN BOARD

Menu Language	English	
CPU	Cortex A17+ Quad Core GPU Mali-T764 1.8GHz	
RAM	2GB	
ROM	16GB	
Android Version	Android 9.0	

#### CONNECTIVITY

HDMI Input(s)	1	
Headphone Output(s)	1 (Mini Jack)	
USB 2.0 Port(s)	2	
LAN Port(s)	1	
SD	1 (Micro SD)	

#### SOUND

Audio Power Output (RMS)	5W x2	
Speaker Position	Left & Right	

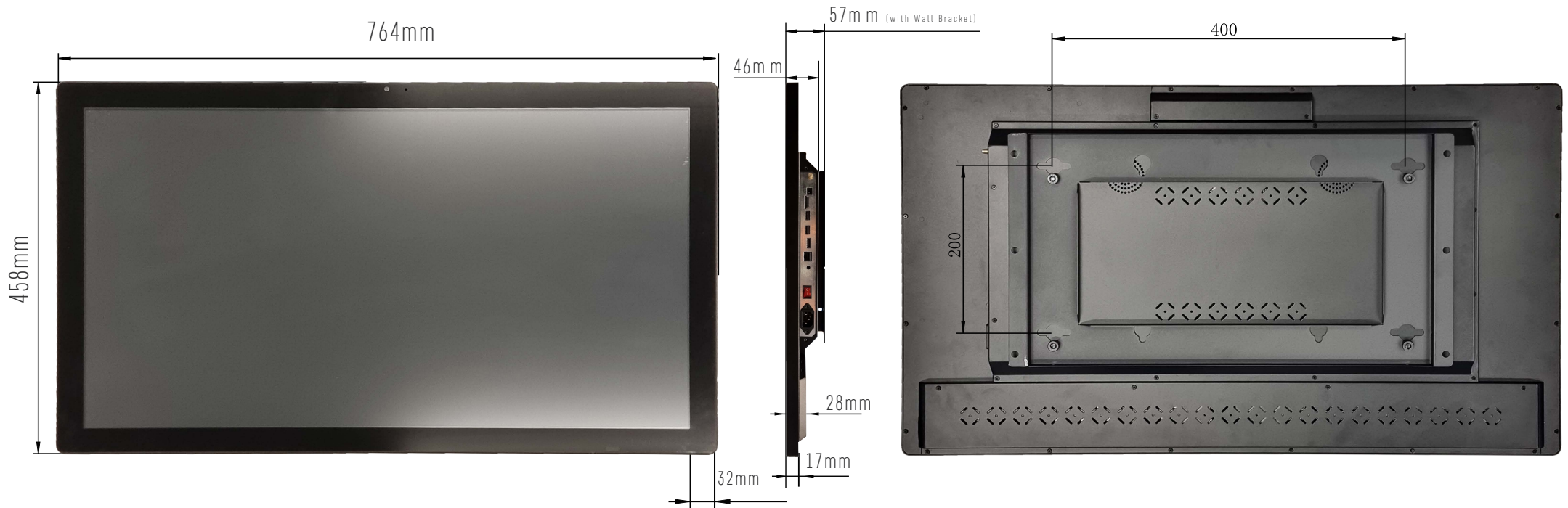
#### OTHER

Input Voltage	100V~240V 50/60Hz	
Power Consumption (in Operation)	<=80W	
Power Consumption (in Standby)	<=1W	



[promultis]

# 32" Electra Dimensions

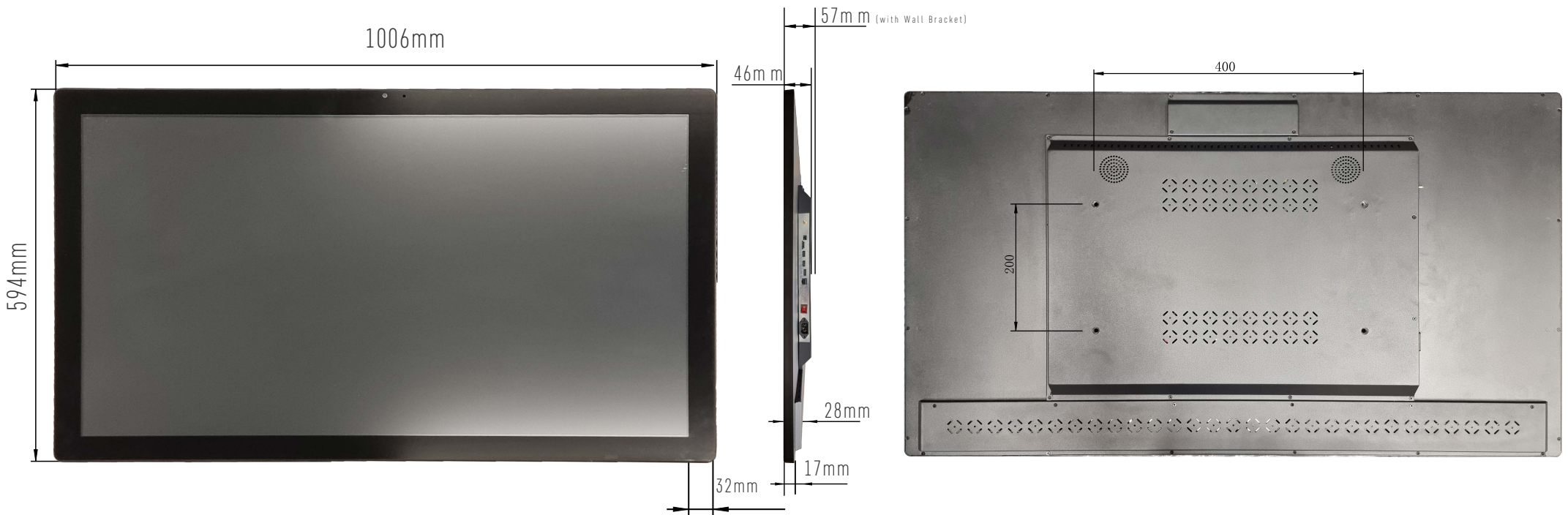


Note: Product design specifications including dimensions are subject to change without notice and may vary from those shown.



[promultis]

# 43" Electra Dimensions



Note: Product design specifications including dimensions are subject to change without notice and may vary from those shown.