



[promultis]

# TAB Touch Screen

Offering 4K UHD, the picture quality is excellent and the touch response is superb. The screen is perfect for Business, Education and Commercial use.



32 Touch Points with Infrared Technology option



Object Recognition-Ready option



High Brightness screens available



Wall Bracket Included



PC or Android options



Interactive UBoardMate Whiteboard Software



10/20 or 100 Touch Points with Projected Capacitive Technology



Anti-Bacterial Film option  
Currently being tested for COVID-19



5mm Toughened Glass



4K UHD, Back-lit LED Screen  
43" | 49" | 55" | 65" | 75" | 85"



3 Year Swap-out Warranty

Note: Product design specifications including dimensions are subject to change without notice and may vary from those shown.



[promultis]  
MULTITOUCH SOLUTIONS

For more exciting multitouch products visit  
[www.promultis.info](http://www.promultis.info)  
or call +44 (0) 239 251 2794

**A stunning 4K screen designed with a robust, boxier shape for style and protection. Great for areas where public interaction is required like shops or museums.**

This screen has Projected Capacitive technology allowing the front of the screen to be completely flat. 10 or 100 touch points activated by finger or interactive object. Very accurate.

Choose a screen with sizes ranging from 43" all the way up to a huge 86" 4K UHD screen.

Along with bezel-less Projected Capacitive technology, we also offer an Infrared 32 touch technology option.

This screen is designed to be displayed on a wall, flat onto a table top or fixed to a mobile trolley.

Promultis TAB screens are ideal for:

- Retail Environments
- Marketing Suites
- Events and Exhibition Stands
- Museums
- Libraries



### Secure cable management

Compatible with Windows/Mac/Android/Linux operating systems. Optional PC or Android boxes can be housed inside the box along with cable management.



### Colour and applied graphics

The TAB Screen is available in a variety of colours. Select a colour for the screen bezel and add your logo. In addition, the device can be vinyl wrapped with graphics of your choosing.



### Immerse Bespoke Interactive Software from Promultis

Promultis offers a bespoke software creation service where our software development team will create a multitouch interactive experience to run on your touch table. Visit our website at <https://immerse.promultis.info/> for example applications and case studies.



### Software options

The Snowflake Suite Ultimate is perfect for education and training, its fully featured with all over 52 apps, including presentation, creativity and productivity tools, as well as games. It is intuitive and easy to use and customisable to suit your needs.



### Object Recognition Ready

Object recognition is the ability to drop an interactive puck onto the screen and the screen to react to that object and display relevant content such as videos, pictures and graphics. Promultis offers an object recognition software service detailed on the Immerse website.

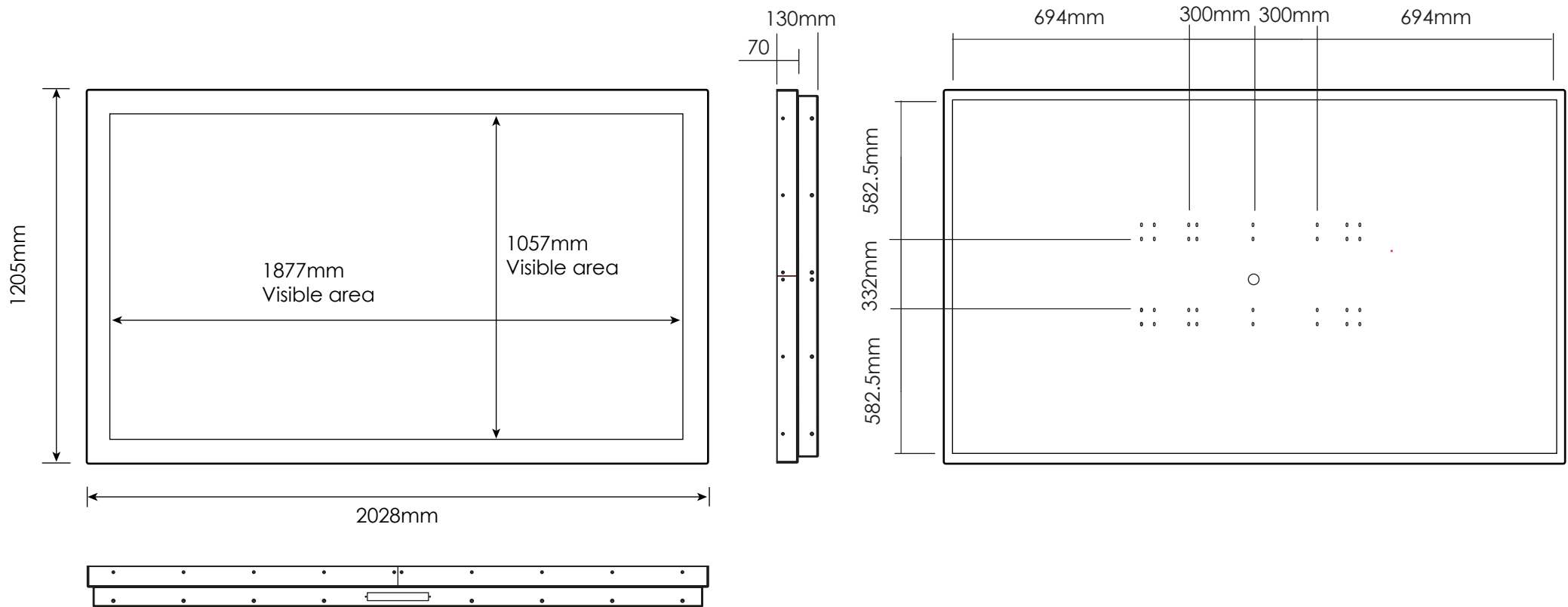
CHASSIS FEATURES	
Materials	Aluminium
Glass type	Toughened
PANEL	
Interactive area	43"   49"   55"   65"   75"   85"
Panel resolution	1080p Full HD or 4K UHD
Native resolution	1920 x 1080 or 3840 x 2160 60Hz
Brightness (nits)	450
Contrast ratio	1500 to 1
Response time	6ms
Aspect ratio	16x9
Viewing angle	178° / 178°
Pixel pitch	0.744 (mm)
LCD Illumination	Backlit LED
Speaker	10W x2
ENVIRONMENT	
Operating temperature	50°F to 104°F (10°C to 40°C)
Operating Humidity	10% to 80%, non-condensing
Storage Temperature	-4°F to 113°F (-20°C to 45°C)
Storage Humidity	5% to 95%, non-condensing
SHIPPED WITH	
Cables	Power   USB   HDMI
Remote control	Included
User manual	Included
WARRANTY	
3 year repair or replace warranty as standard	
Extended warranties and SLA's available at an additional cost	

PROJECTED CAPACITIVE	
Detection method	Projected Capacitive
Input method	Finger and gloved finger
Number of simultaneous touches	10, 20 or 100 touches
Noise Shielding	DISPLAX XTR-Shield™ Plus, a proprietary noise filtering technology
Aspect ratio	16:9
Controller	Printed circuit board with mini USB connector
Adhesive	Permanent
Interface	HID
OS with multitouch	Windows 8.1, 8, 7, 10; Ubuntu 12.04; Android; Chrome OS
OS with single touch	Mac OS X Yosemite
OS with mouse emulation	Spinetix Media Player HMP 200
Data connectivity	USB 2.0
Touch accuracy	1mm absolute
PERFORMANCE	
Substrate thickness	Up to 6mm
Touch response	5 milliseconds
Calibration	Available using control panel: no drift
POWER CONSUMPTION	
Average power consumption (P)	USB powered @ 5V
	Peak consumption: 410 mA
	Operation consumption: 370mA
RELIABILITY	
Operating temperature range	-20°C to 70°C
Operating humidity range	0% to 96%
Life time expectancy	Unlimited
Controller life time expectancy	1 million hours



[promultis]

# 85" TAB Box Top Projected Capacitive Touch Screen



Note: Product design specifications including dimensions are subject to change without notice and may vary from those shown.



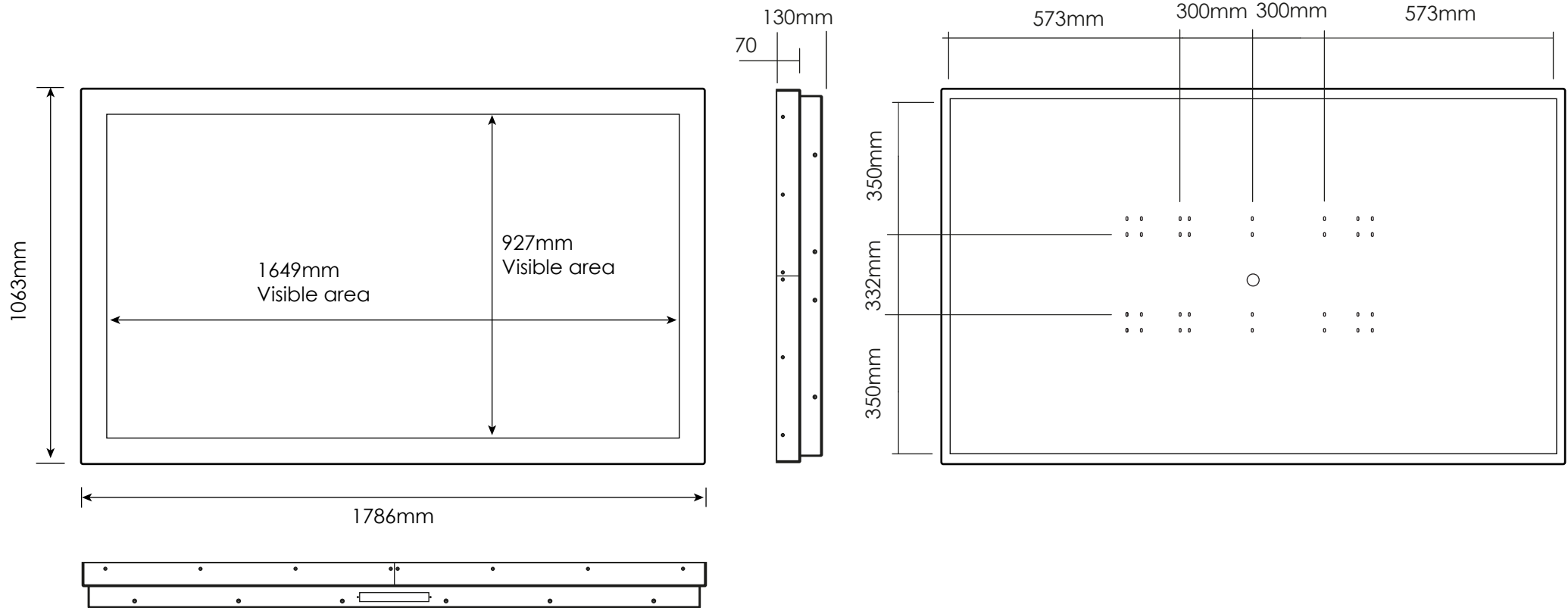
[promultis]  
MULTITOUCH SOLUTIONS

For more exciting multitouch products visit  
[www.promultis.info](http://www.promultis.info)  
or call +44 (0) 239 251 2794



[promultis]

# 75" TAB Box Top Projected Capacitive Touch Screen



Note: Product design specifications including dimensions are subject to change without notice and may vary from those shown.



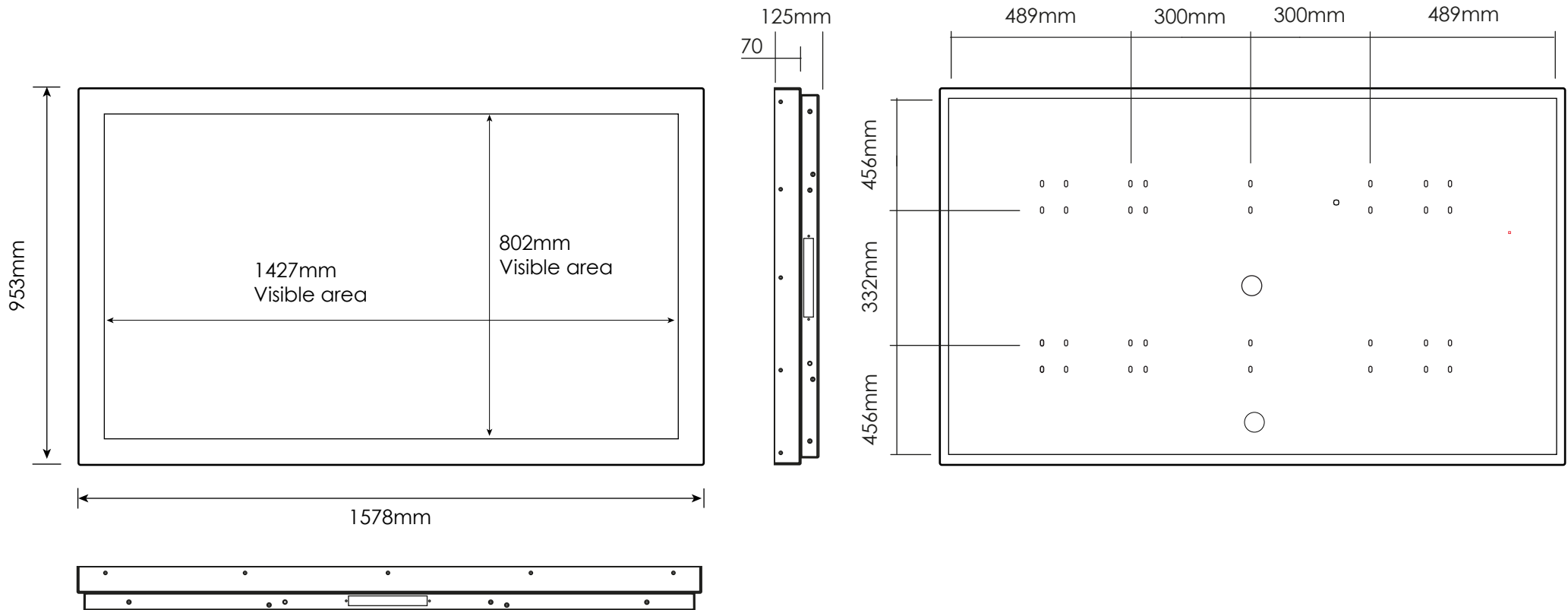
[promultis]  
MULTITOUCH SOLUTIONS

For more exciting multitouch products visit  
[www.promultis.info](http://www.promultis.info)  
or call +44 (0) 239 251 2794



[promultis]

# 65" TAB Box Top Projected Capacitive Touch Screen

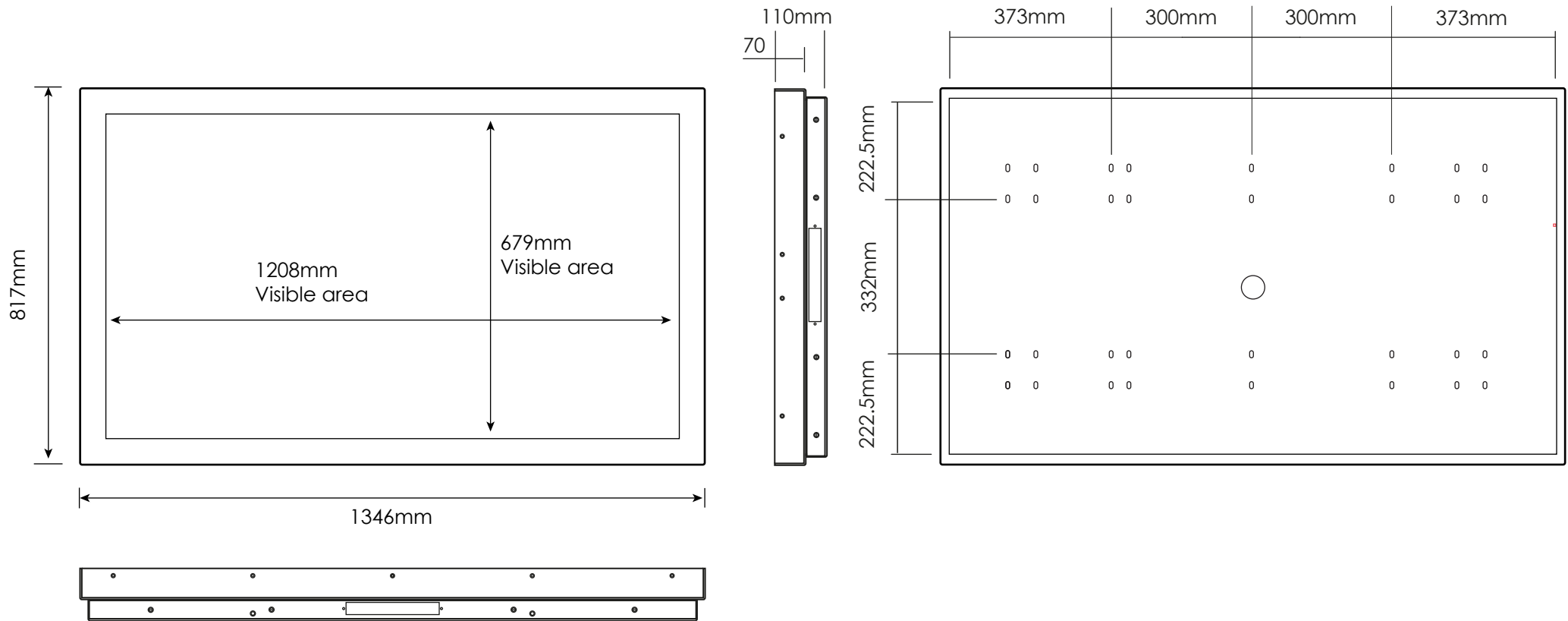


Note: Product design specifications including dimensions are subject to change without notice and may vary from those shown.



[promultis]

# 55" TAB Box Top Projected Capacitive Touch Screen

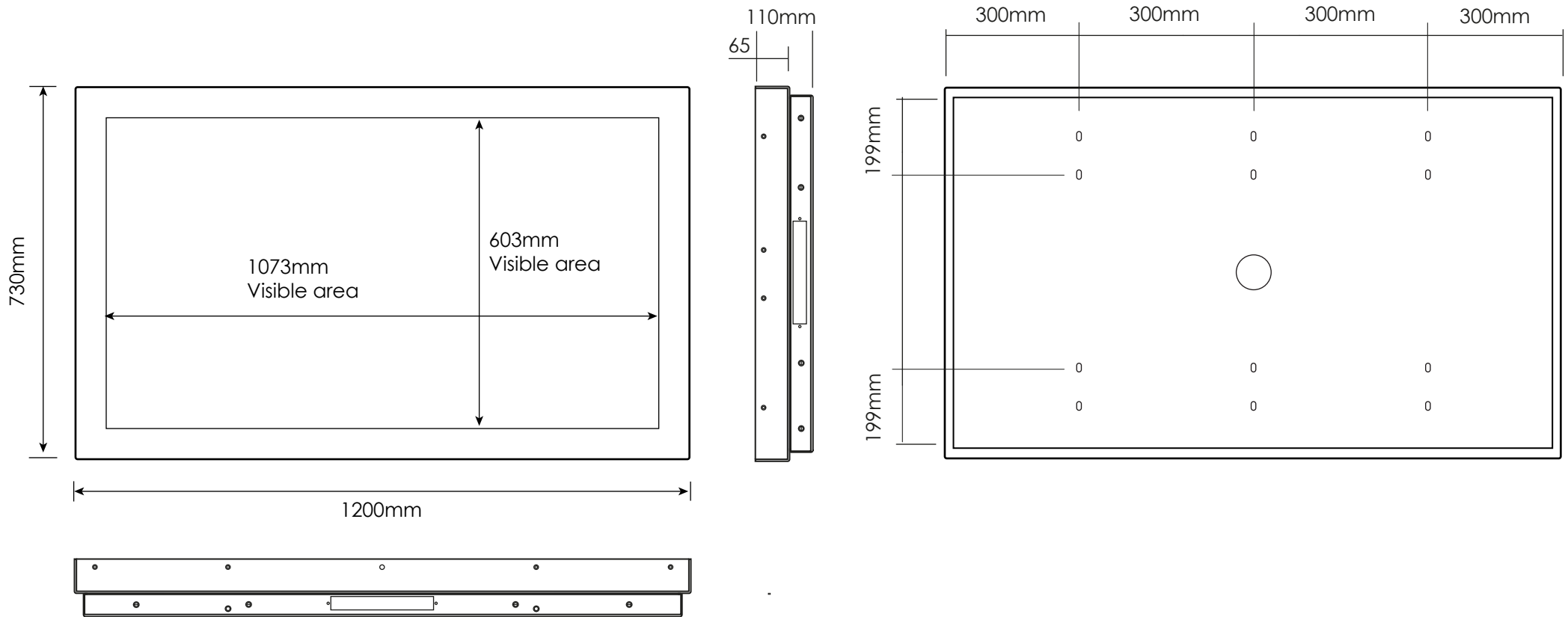


Note: Product design specifications including dimensions are subject to change without notice and may vary from those shown.



[promultis]

# 49" TAB Box Top Projected Capacitive Touch Screen



Note: Product design specifications including dimensions are subject to change without notice and may vary from those shown.



[promultis]  
MULTITOUCH SOLUTIONS

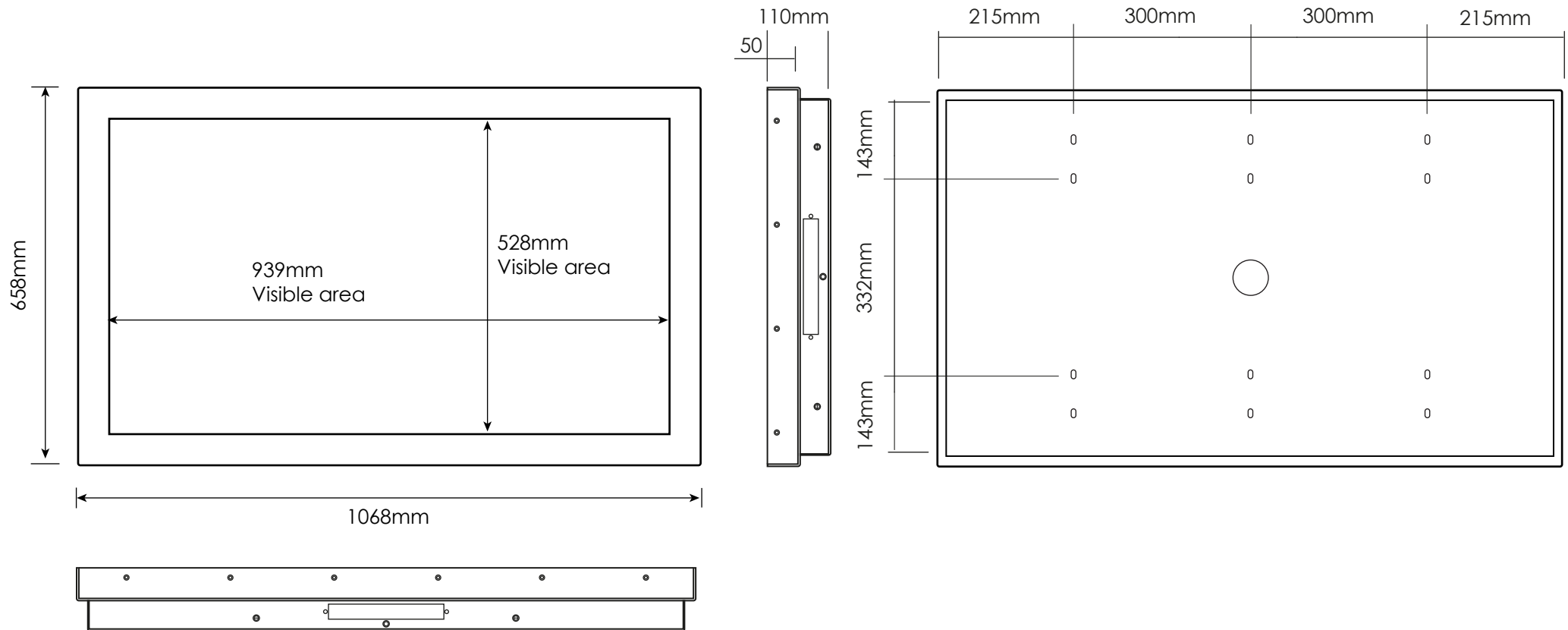
For more exciting multitouch products visit  
[www.promultis.info](http://www.promultis.info)  
or call +44 (0) 239 251 2794





[promultis]

# 43" TAB Box Top Projected Capacitive Touch Screen



Note: Product design specifications including dimensions are subject to change without notice and may vary from those shown.



[promultis]  
MULTITOUCH SOLUTIONS

For more exciting multitouch products visit  
[www.promultis.info](http://www.promultis.info)  
or call +44 (0) 239 251 2794