



[promultis]

Face Recognition Temperature Measurement Terminal



Precise identification



Quick Identification
300ms



Body temperature test



20,000 face library



Wired network / Wi-Fi



Binocular biometric camera



Recognises even when wearing mask



Voice broadcast



Query the records



1 Year Warranty



Silver Border / Base



Golden Border / Base



Colour Customisation

Note: Product design specifications including dimensions are subject to change without notice and may vary from those shown.

SCREEN PARAMETERS	
Screen Size	7" - 8"
Display area	16:9
Maximum Resolution	1920 x 1080
Display color	16.7M
Brightness (cd/m ²)	450cd/m ²
Contrast (Type)	5000 : 1
Viewing angle	R/L/U/D 89/89/89/89
Response time	5ms
Life (hrs)	>60,000 (hrs)
AUDIO SYSTEM	
Horn	2×5W(8Ω)
Sound Mode	Standard
OUTPUT INTERFACE	
PC Output Interface	RJ45 x1, USB x2
L/R Audio output	RCA x2
POWER CONSUMPTION	
Input voltage	C 100~240v 50/60HZ
Standby power / rated power	≤3W / ≤180W
CABINET	
Material	SPCC
Exterior color	Black (default), gold or silver
EXTERNAL CONDITIONS	
Working temperature / humidity	0°~50° / 20%~80%
Storage temperature / humidity	-10°~60° / 5--95%

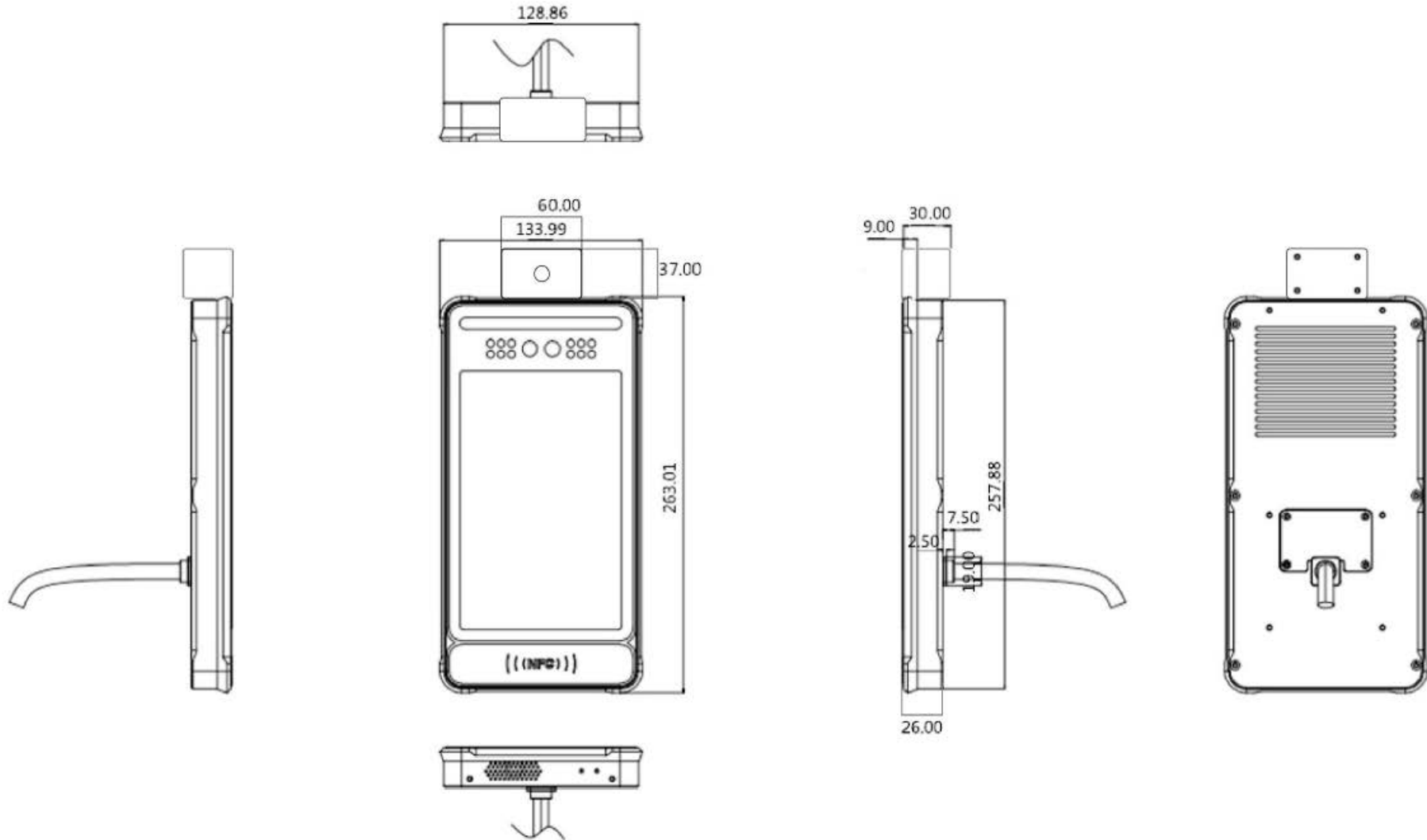
MOTHERBOARD PARAMETERS	
Processor	Quad-core 1.8GHz
RAM	DDR3 2G
ROM	8G eMMC Flash cache, can increase TF card to 64G
Wired network	10 / 100M adaptive Ethernet
Wireless network	High-performance Wi-Fi supports 802.11b / n / g and Bluetooth 4.0
Operating system	Android 5.1
CAMERA PARAMETERS	
Pixel	200W
Chiclets	REALTEK*2
Motion image resolution	1920 x 1080
Image format	JPEG, PNG
Captured image resolution	1920 x 1080
Video format	AVI, 3GP, MP4
Colour	24-bit color
Focal length	60cm
Optical structure	2G 2P+IR
Field of view	65°±5°
TEMPERATURE MEASUREMENT MODULE	
Detection temperature range	0°C ~ 50°C
Precision	±0.2°C
Data update takes time	≤2ms

EXTERNAL INTERFACE	
DC12V power input interface	1 ↑
USB HOST	1 ↑
USB OTG	1 ↑
TTL serial port	1 ↑
U boot	1 ↑
Relay	1 ↑
ETH Ethernet interface	1 ↑
ACCESS CONTROLLER	
<ul style="list-style-type: none"> • Communication protocol: Support TCP / IP 10M / 100M adaptive • Door opening delay time is adjustable from 1 to 600 seconds • Can register and identify ≥ 20,000 access rights • Offline storage ≥ 100,000 storage records after disconnection • With power failure protection measures, data will not be lost after power failure. • With power failure protection measures, data will not be lost after power failure. • Has the function of forcing the door to open or close 	
WARRANTY	
1 year warranty as standard	
Extended warranties and SLA's available at an additional cost	



[promultis]

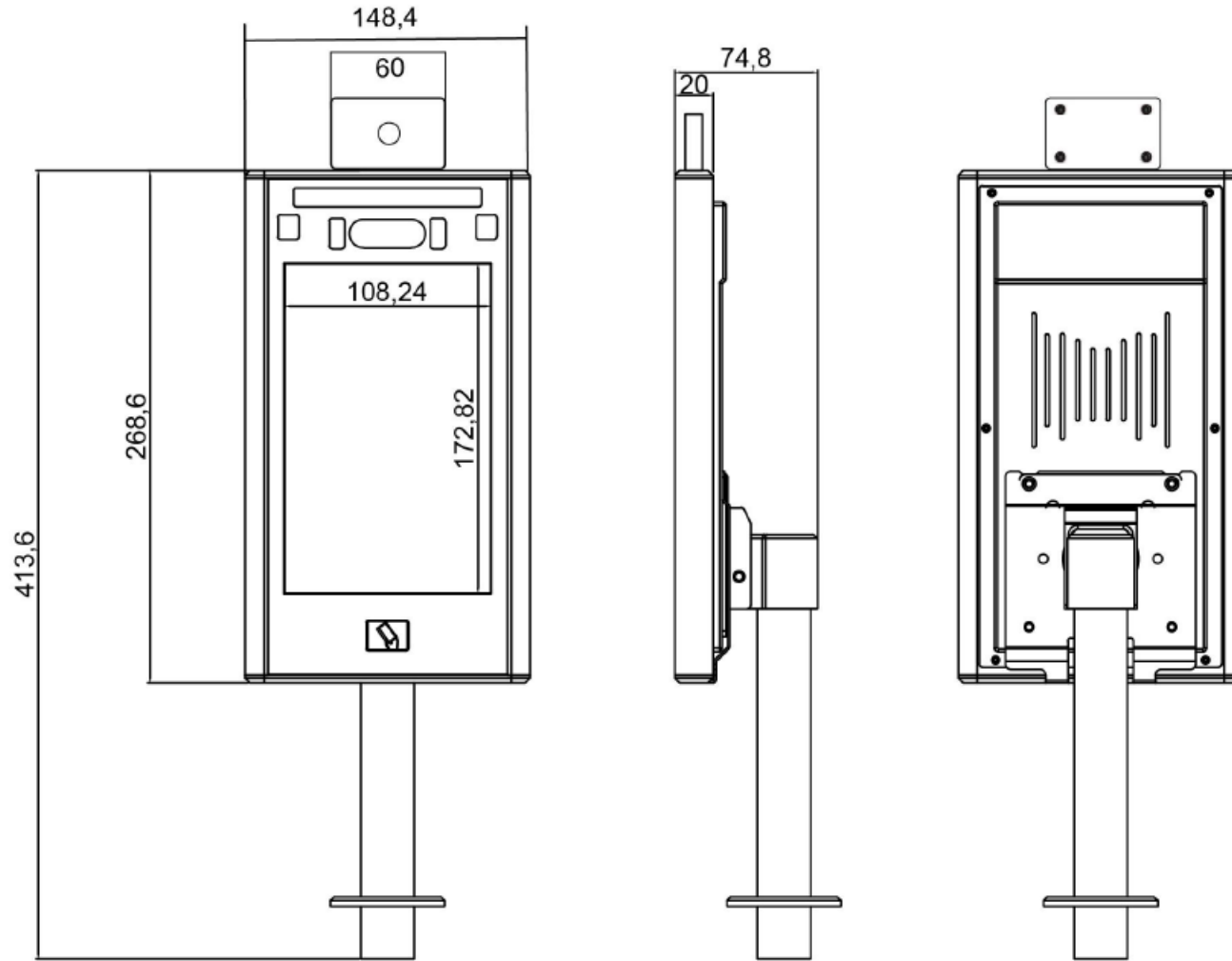
Terminal with 8 inch screen





[promultis]

Terminal with 8 inch screen





[promultis]

Terminal with 7 inch screen

