



[promultis]

# Sentinel High Brightness Totem - IP55

Wall mounted or floor standing



32" - 43" - 55" - 65" - 75"  
ACTIVE DISPLAY AREA



VGA, HDMI, USB, RS232 &  
RJ45 CONNECTIVITY



MONITOR AND CONTROL DISPLAY  
IN REAL TIME VIA THE CLOUD



10 TOUCH POINTS OPTION  
+ CAMERA / NFC / RFID / ULTRASONIC / LED STRIP /  
4G / WI-FI / BLUETOOTH / PRINTER / SCANNER /  
POS / CHARGING GUN / SPEAKER OPTIONS



3 YEAR ON-SITE WARRANTY



3000 NITS, HIGH BRIGHTNESS,  
LED HD SCREEN



LAMINATED TEMPERED GLASS



FULLY-SEALED ENCLOSURE WITH IP55 COMPLIANCE  
TO ENSURE DUST FREE AND WATERPROOF



TEMPERATURE & HUMIDITY CONTROL SYSTEM



WINDOWS OS / ANDROID OS / TV BOARD



[promultis]  
MULTITOUCH SOLUTIONS

For more exciting multitouch products visit  
[www.promultis.info](http://www.promultis.info)  
or call +44 (0) 239 251 2794

	SENTINAL32	SENTINAL43	SENTINAL55	SENTINAL65	SENTINAL75
Panel Size (inch)	32	43	55	65	75
LCD Manufacturer	Samsung / LG / AUO / Sharp / Keewin				
Active Display Area (w x h mm)	698 x 392	941 x 529	1210 x 680	1428 x 803	1650 x 928
Resolution (pixel)	1920 x 1080	1920 x 540	1920 x 1080	3840 x 2160	1920 x 1080
Aspect Ratio	16 : 9	16 : 9	16 : 9	16 : 9	16 : 9
Brightness (nits)	2000	3000	3000	3000	3000
Contrast Ratio	4000 :1	4000 : 1	4000 : 1	4000 : 1	4000 : 1
Grey to Grey Response Time (ms)	10	12	12	8	6
Viewing Angle (H/V)	178° / 178°				
Backlight Configuration	Direct LED				
Operational Life Cycle-mtbf (hours)	50,000				
Surveillance Application					
Intelligent Dimming	Yes				
Intelligent Cooling	Yes				
Temperature Error Alarm	Yes				
Screen Display Activity Error Alarm	Yes				
Door Open Alarm	Yes				
Fan Error Alarm	Yes				
No Working-Voltage	Yes				
Power					
Input Voltage	AC220/110 V ± 10%, 50 / 60 HZ				
Leakage Protection	30mA/0.1S				
Surge Protection	class B (II level classification test)				
Max Power Consumption (w)	155	290	430	580	950

	SENTINAL32	SENTINAL37	SENTINAL55	SENTINAL65	SENTINAL75
Panel Size (inch)	32	43	55	65	75
Enclosure					
IP Rating	IP55	IP55	IP55	IP55	IP55
Enclosure Material	Galvanized steel + zinc powder coating				
Enclosure Lifetime	5 years				
Glass Type	Laminated tempered glass				
Glass Type	Transmissivity > 93%, Reflectivity < 2%				
Unit Dimension (w x h x d mm)	552 x 1750 x 160	695 x 1800 x 160	850 x 2000 x 160	1010 x 2100 x 200	1190 x 2460 x 200
Bezel Width (mm)	85	85	85	105	120
Weight (kg)	110	144	197	290	400
Environment					
Operating Environment	Exposure to direct sunlight, rain, snow and dust				
Operating Temperature	-20 °C ~ +50 °C				
Operating Humidity	5% ~ 98%				
Operating Altitude (m)	≤2000				
Operating Altitude (m)	≤2000				
Media					
	CPU	Memory	Storage	OS	I/O
Windows OS	Core / Celeron / Atom	4 / 8 / 16 / 32 Gb	128 / 256 / 512 Gb	Win 7/10 32/64bit	VGA / HDMI / USB /RS232 /RJ45
Android OS	Rockchip / Allwin	1 / 2 / 4 Gb	8 / 16 / 32 / 64 /128 Gb	Android 4.4 -8	VGA / HDMI / USB /RS232 /RJ45
TV Board	Mstar / NOATEK				VGA / HDMI / USB
Options	Touch Screen / Camera/ NFC / RFID / Ultrasonic / LED Strip / 4G / Wi-Fi / Bluetooth / Printer / Scanner / Pos / Charging Gun / Speaker				



[promultis]

# Sentinal High Brightness Totem - IP55

Wall mounted or floor standing

---



Floor standing



Wall mounted



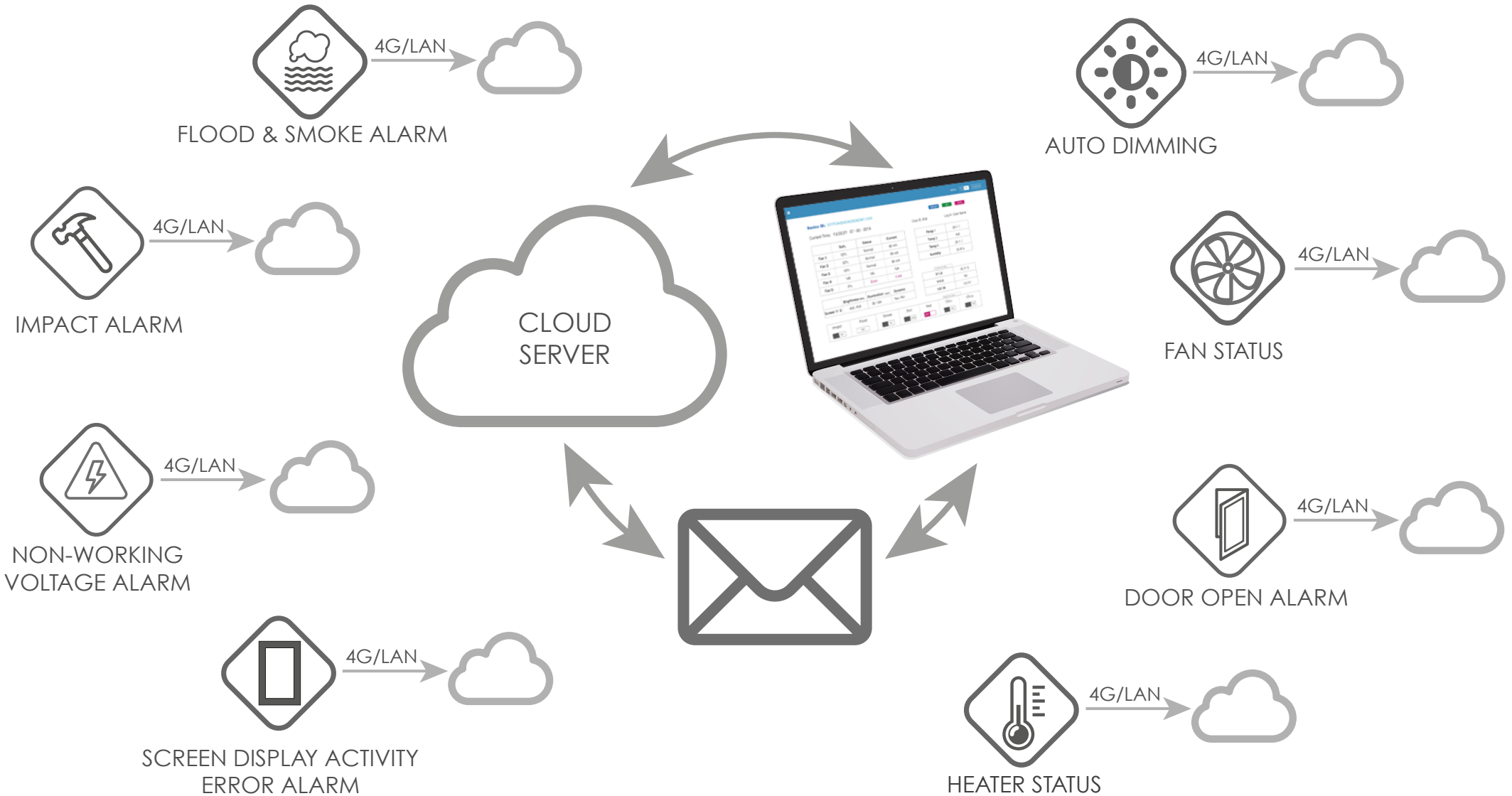
[promultis]  
MULTITOUCH SOLUTIONS

For more exciting multitouch products visit  
[www.promultis.info](http://www.promultis.info)  
or call +44 (0) 239 251 2794



[promultis]

# SURVEILLANCE SYSTEM

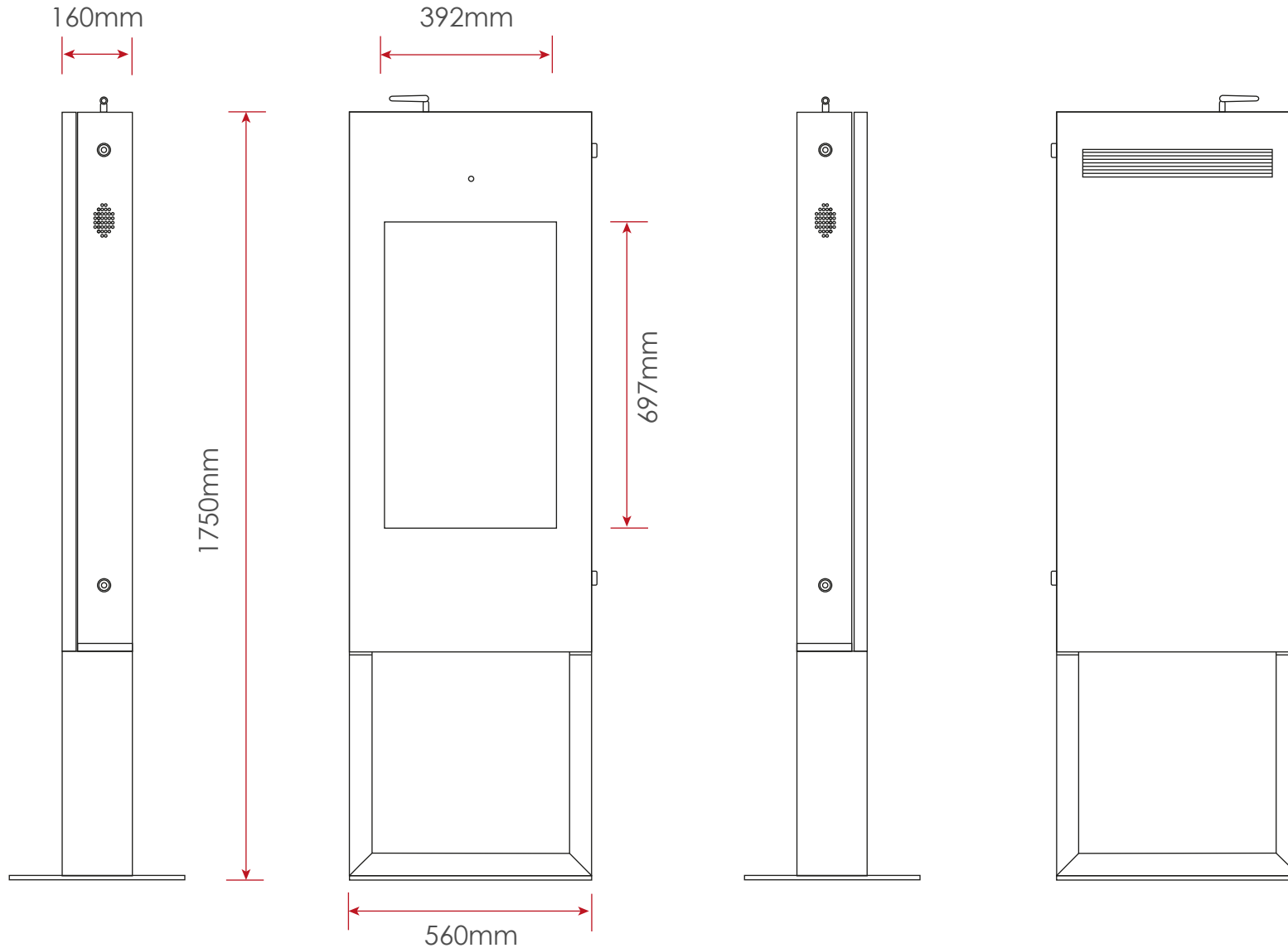




[promultis]

# Sentinal 32" High Brightness Totem - IP55

Wall mounted or floor standing



[promultis]  
MULTITOUCH SOLUTIONS

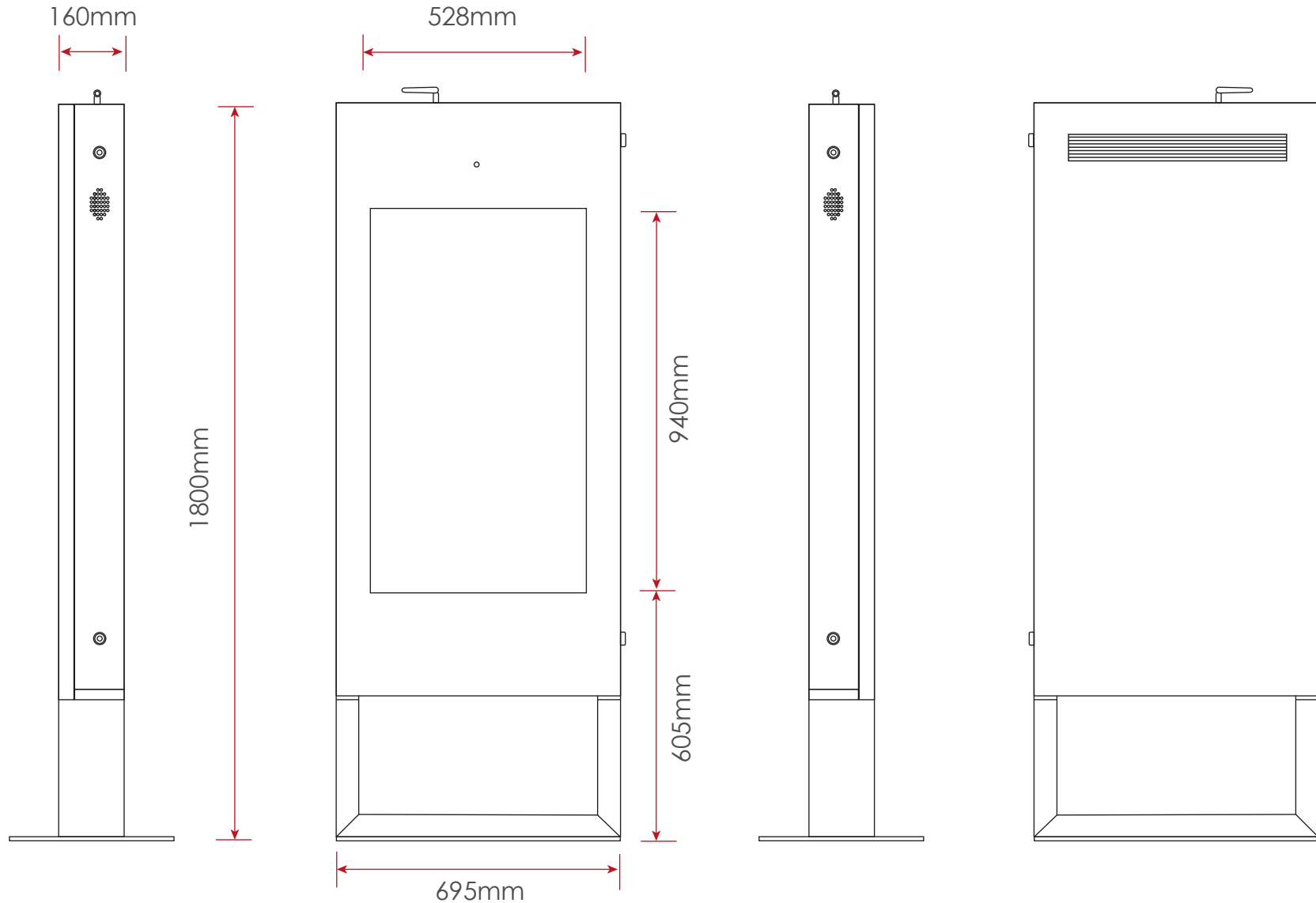
For more exciting multitouch products visit  
[www.promultis.info](http://www.promultis.info)  
or call +44 (0) 239 251 2794



[promultis]

# Sentinal 43" High Brightness Totem - IP55

Wall mounted or floor standing



[promultis]  
MULTITOUCH SOLUTIONS

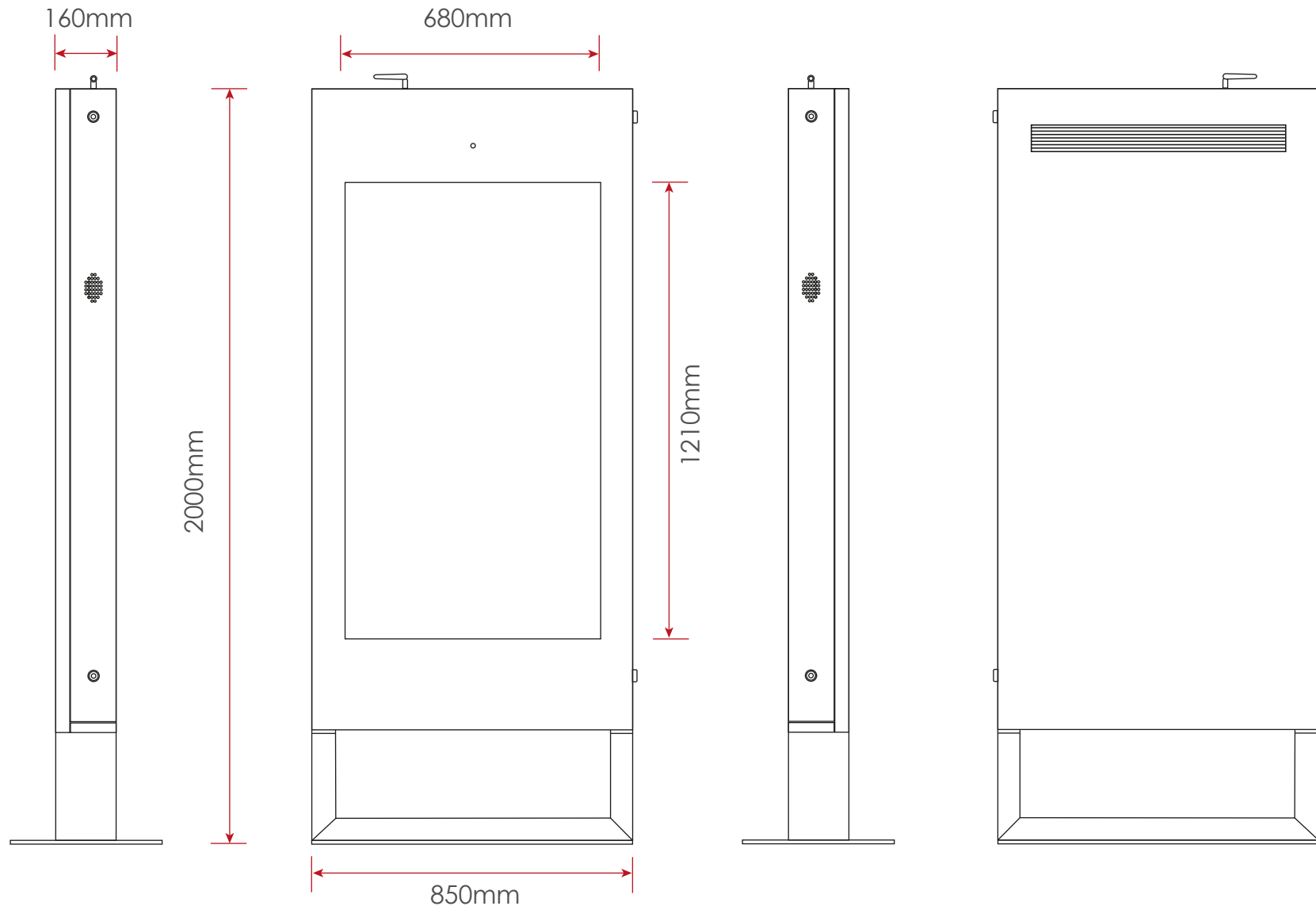
For more exciting multitouch products visit  
[www.promultis.info](http://www.promultis.info)  
or call +44 (0) 239 251 2794



[promultis]

# Sentinal 55" High Brightness Totem - IP55

Wall mounted or floor standing



[promultis]  
MULTITOUCH SOLUTIONS

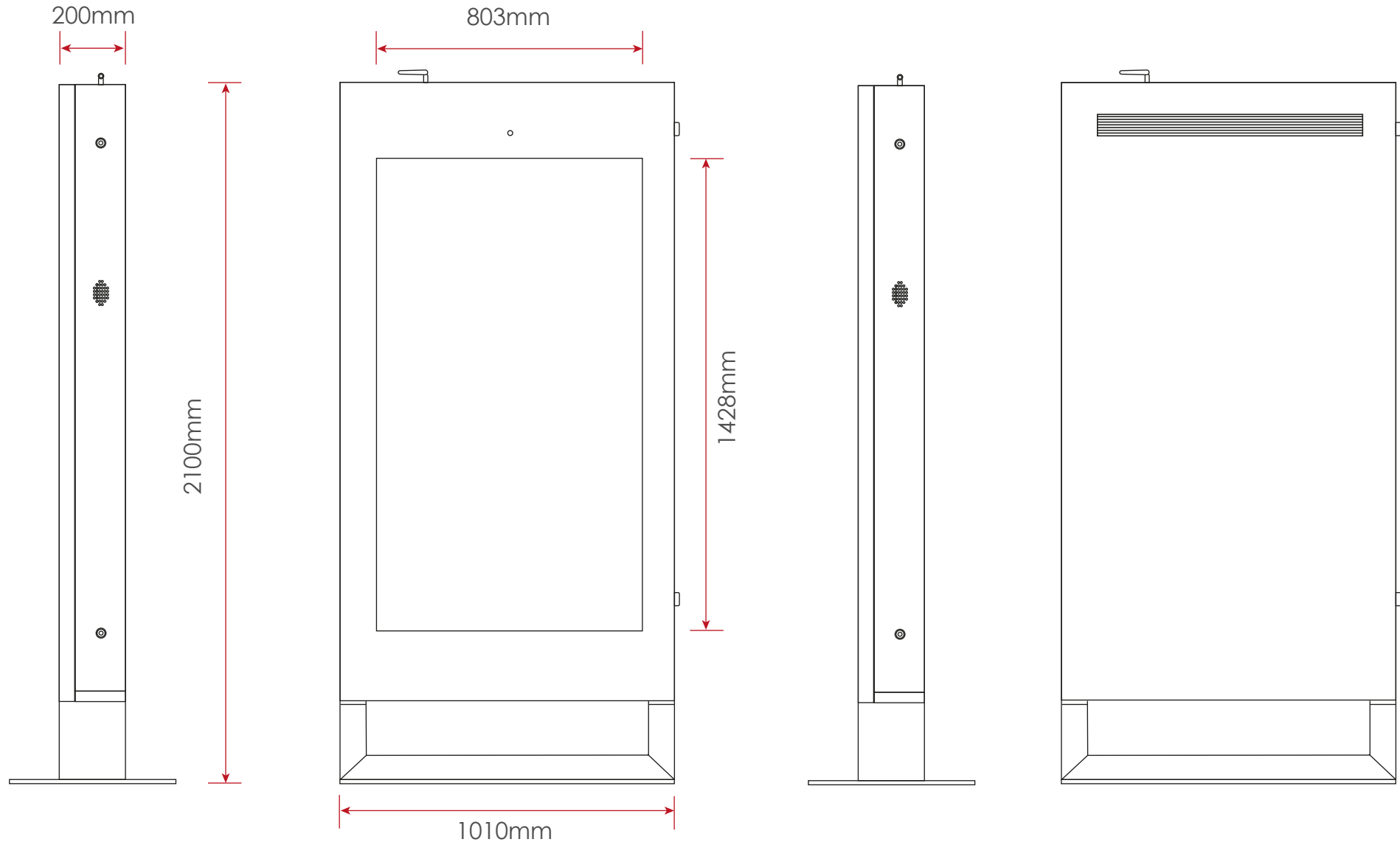
For more exciting multitouch products visit  
[www.promultis.info](http://www.promultis.info)  
or call +44 (0) 239 251 2794



[promultis]

# Sentinal 65" High Brightness Totem - IP55

Wall mounted or floor standing



[promultis]  
MULTITOUCH SOLUTIONS

For more exciting multitouch products visit  
[www.promultis.info](http://www.promultis.info)  
or call +44 (0) 239 251 2794

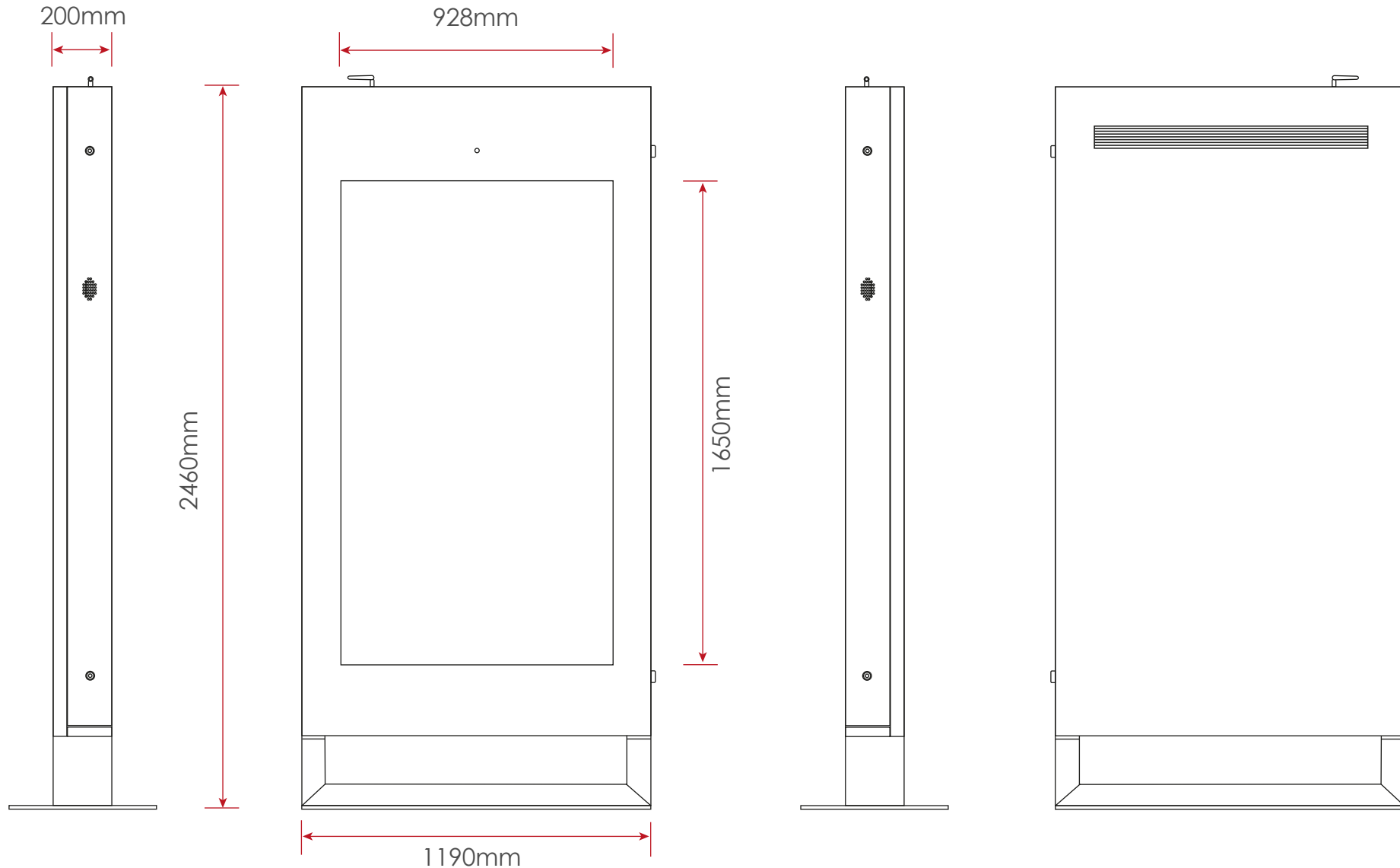




[promultis]

# Sentinal 75" High Brightness Totem - IP55

Wall mounted or floor standing



[promultis]  
MULTITOUCH SOLUTIONS

For more exciting multitouch products visit  
[www.promultis.info](http://www.promultis.info)  
or call +44 (0) 239 251 2794