



[promultis]

Varitilt Mobile Table

Electric height and tilt adjustable collaborative table with easy access from all sides. Ideal for Care Homes, Conference Rooms, Hospitality Suites & Training Areas.

32" & 43" INTERACTIVE AREA

10 TOUCH POINTS WITH PROJECTED CAPACITIVE TECHNOLOGY

OPTIONAL I7 PC

ELECTRIC HEIGHT AND TILT ADJUSTABLE

HDMI AND USB CONNECTIVITY

FLOOR LOCK CASTERS

EASY ACCESS ALL SIDES

4K ULTRA HD
4K UHD, BACK-LIT LED SCREEN

INTEGRATED ANDROID USE WITHOUT A CONNECTED PC

PC COMPARTMENT WITH CABLE MANAGEMENT

BATTERY OPTION

ANTI-BACTERIAL FILM OPTION CURRENTLY BEING TESTED FOR COVID-19

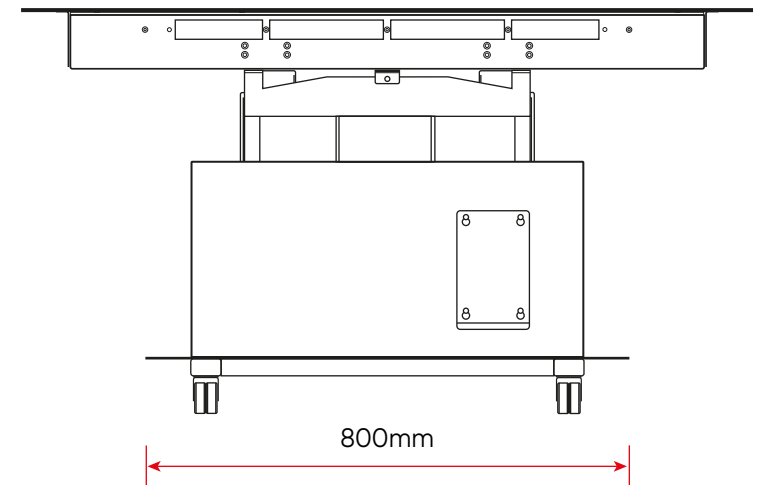
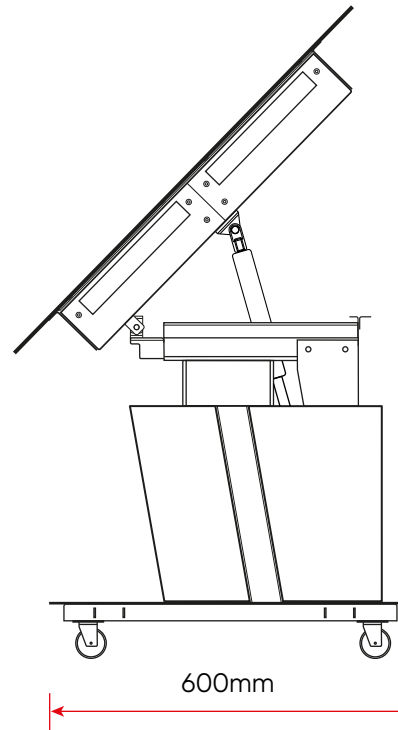
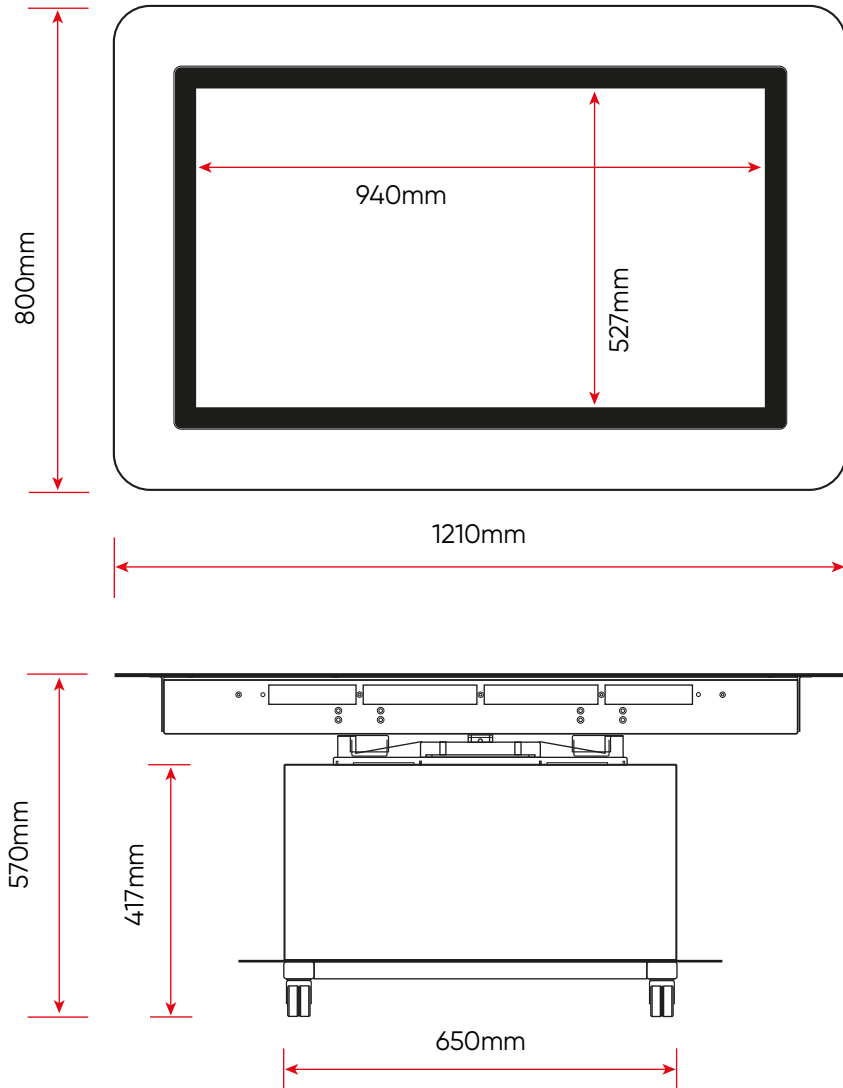
3 YEAR ON-SITE WARRANTY

Note: Product design specifications including dimensions are subject to change without notice and may vary from those shown.



[promultis]

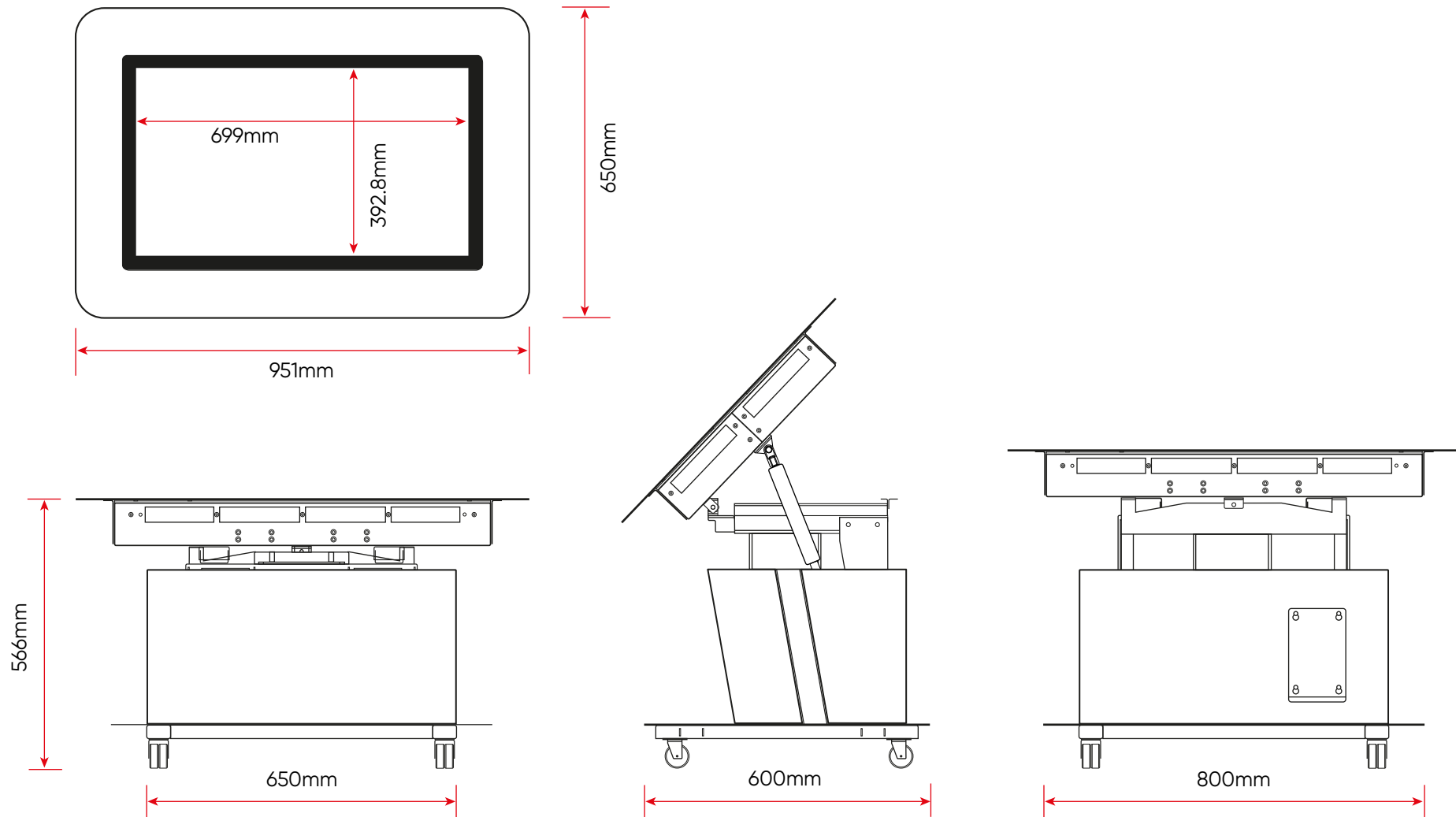
43 inch Varitilt mobile trolley with electric height and tilt adjustment





[promultis]

32 inch Varitilt mobile trolley with electric height and tilt adjustment



DISPLAY PANEL	
Screen Size	43" TFT-LCD
Display area	940mm (H) x 527mm (W) 16:9
Maximum Resolution	1920 x 1080
Display color	16.7M
Pixel Pitch(mm)	0.1845 (H) x 0.1845 (V)
Brightness (cd/m ²)	350cd/m ²
Contrast (Type)	2000 : 1
Visual angle	178°/178°
Response time	5ms
Life (hrs)	>60,000 (hrs)
TOUCH	
Specification	Projected Capacitive
Positioning	±2mms
Transmittance	≥92%
Hardness	7H
Touch points	10
Response time	≤10ms
MECHANICAL	
Monitor Size	1010mm (w) x 597mm (h) x 65mm (d)
Colour	Black
Case	Metal + Aluminium

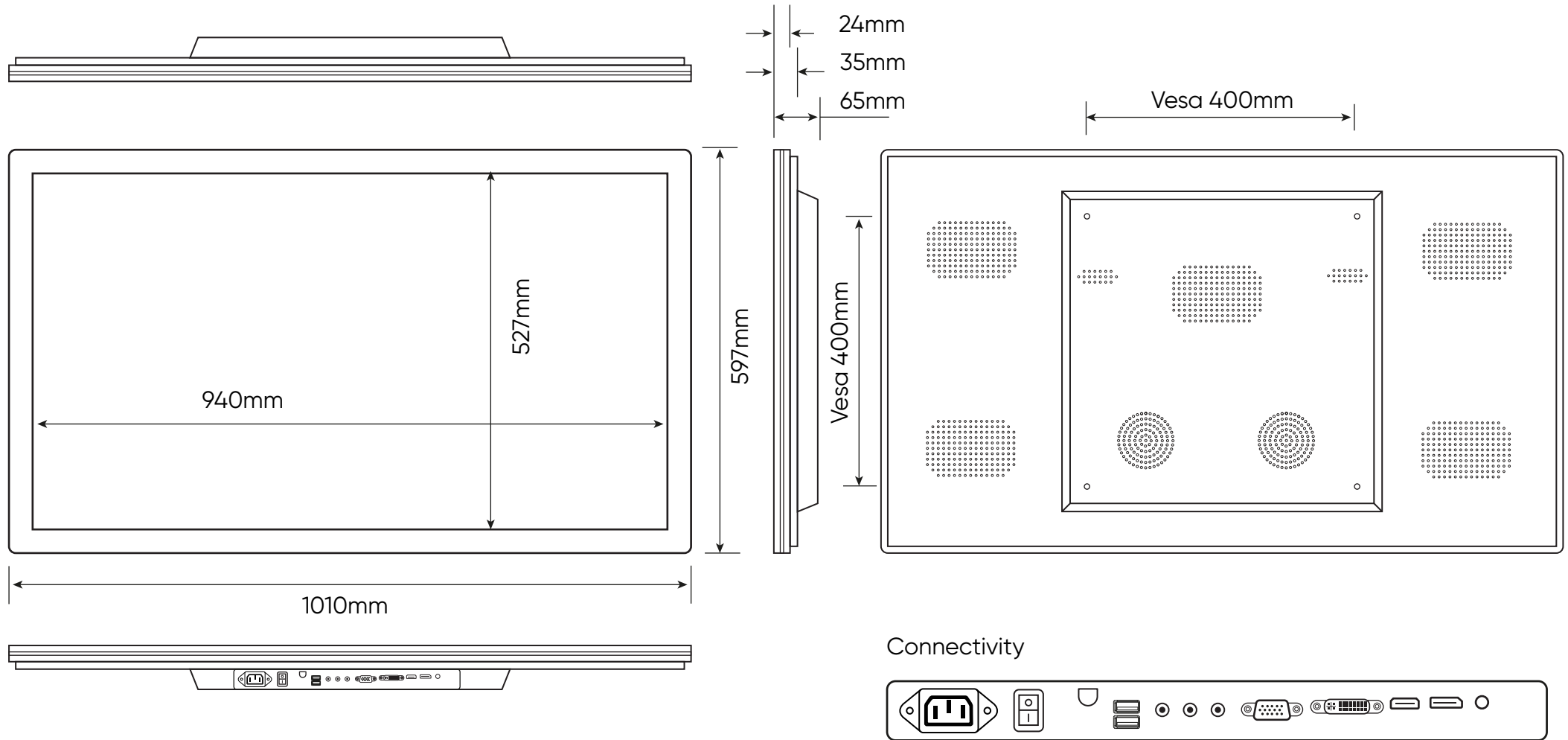
CONNECTIVITY	
HDMI	1
USB	2
VGA	1
RJ45	1
L/R audio input	1
L/R audio output	1
Speaker	2×5W(8Ω)
POWER	
Input Voltage	AC100 ~ 240V 50 /60 HZ
Maximum power consumption	<90W
Standby power consumption	<5W
TEMPERATURE	
Working temperature	0°C ~ 50°C
Storage temperature	-20°C ~ 60°C
Working humidity	85%
Storage humidity	85%
WARRANTY	
3 year on-site warranty as standard	
Extended warranties and SLA's available at an additional cost	

Note: Product design specifications including dimensions are subject to change without notice and may vary from those shown.



[promultis]

43 inch Electra Touch Screen with Projected Capacitive Technology



Note: Product design specifications including dimensions are subject to change without notice and may vary from those shown.

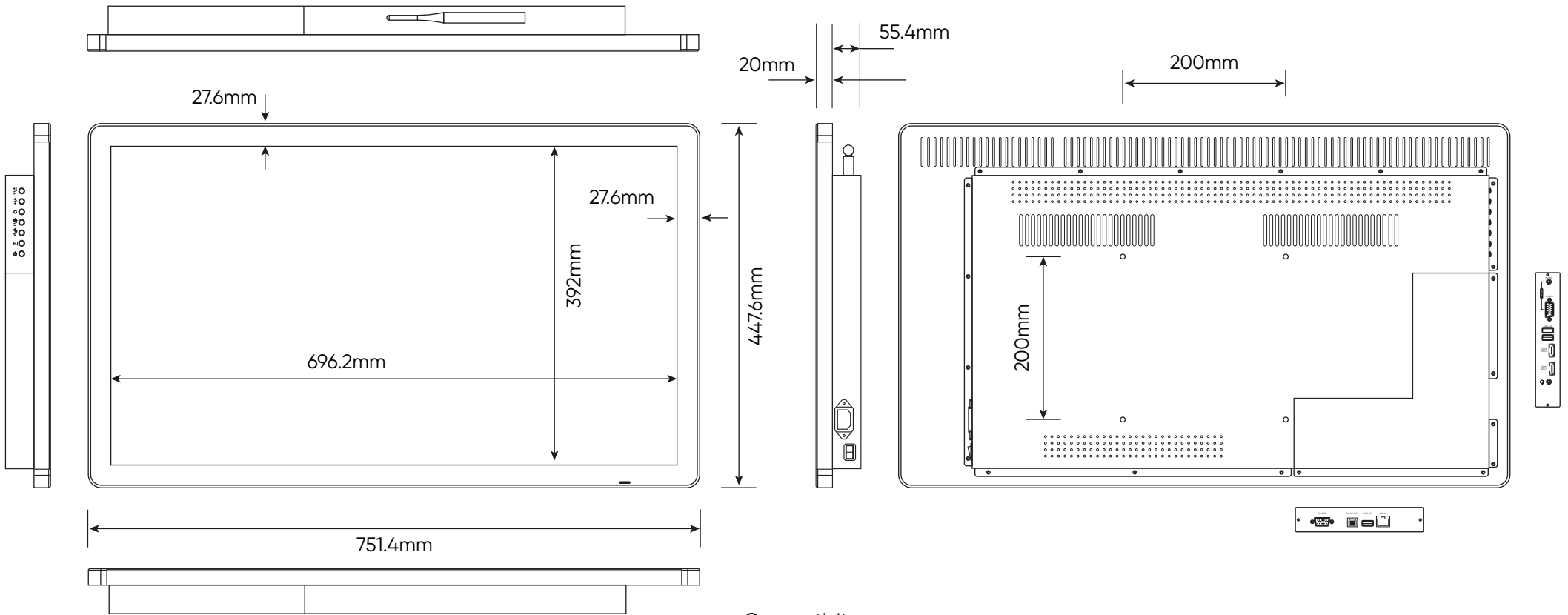
PANEL	
Screen Size	32" TFT-LCD
Display area	697.7mm (H) x 392.8mm
Maximum Resolution	1920 x 1080
Display color	16.7M
Pixel Pitch(mm)	0.1845 (H) x 0.1845 (V)
Brightness (nits)	350 cd /m ²
Contrast (Type)	2000 : 1
Visual angle	178°/178°
Response time	5ms
Life (hrs)	>60,000 (hrs)
TOUCH	
Specification	Projected Capacitive
Positioning	±2mms
Transmittance	≥92%
Hardness	7H
Touch points	10
Response time	≤10ms
Life time	More than 600 million times
OPS PC MODULE	
Main chipset	Intel HM76
CPU	i5-3210M 2.5GHz
System bus frequency	1600\1333\1066MHz
Graphics card	Integrated
Audio card	Intel GMA HD 4000
Network card	Integrated 10/100/1000M adaptive
Memory	4G DDRIII
Hard Disk	120G SSD
WIFI	Yes
Operation system	Windows 10

APPEARANCE	
Colour	Black
Case	Metal case SPCC
Certificate	CE FCC
Quality Standard	ISO9001, CCC
CONNECTIVITY	
HDMI	1
USB	2
VGA	1
L/R audio input	1 (RCA*2)
L/R audio output	1 (RCA*2)
Speaker	2×5W(8Ω)
POWER	
Power supply	AC100 ~ 240V 50 /60 HZ
Maximum power consumption	<90W
Standby power consumption	<5W
TEMPERATURE	
Working temperature	0°C ~ 50°C
Storage temperature	-20°C ~ 60°C
Working humidity	85%
Storage humidity	85%
ANDROID	
Andriod system	Google Android 7.0 support multi-language with wifi module
Storage	2G DDR3
CPU	A20 dual core 1.7 Ghz/quad-core RK3288
Flash	8G
WARRANTY	
3 year on-site warranty as standard	
Extended warranties and SLA's available at an additional cost	

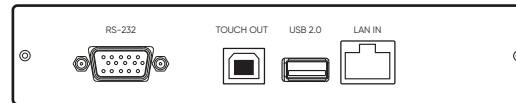


[promultis]

32 inch Firebolt Touch Screen with Projected Capacitive Technology



Connectivity



Note: Product design specifications including dimensions are subject to change without notice and may vary from those shown.