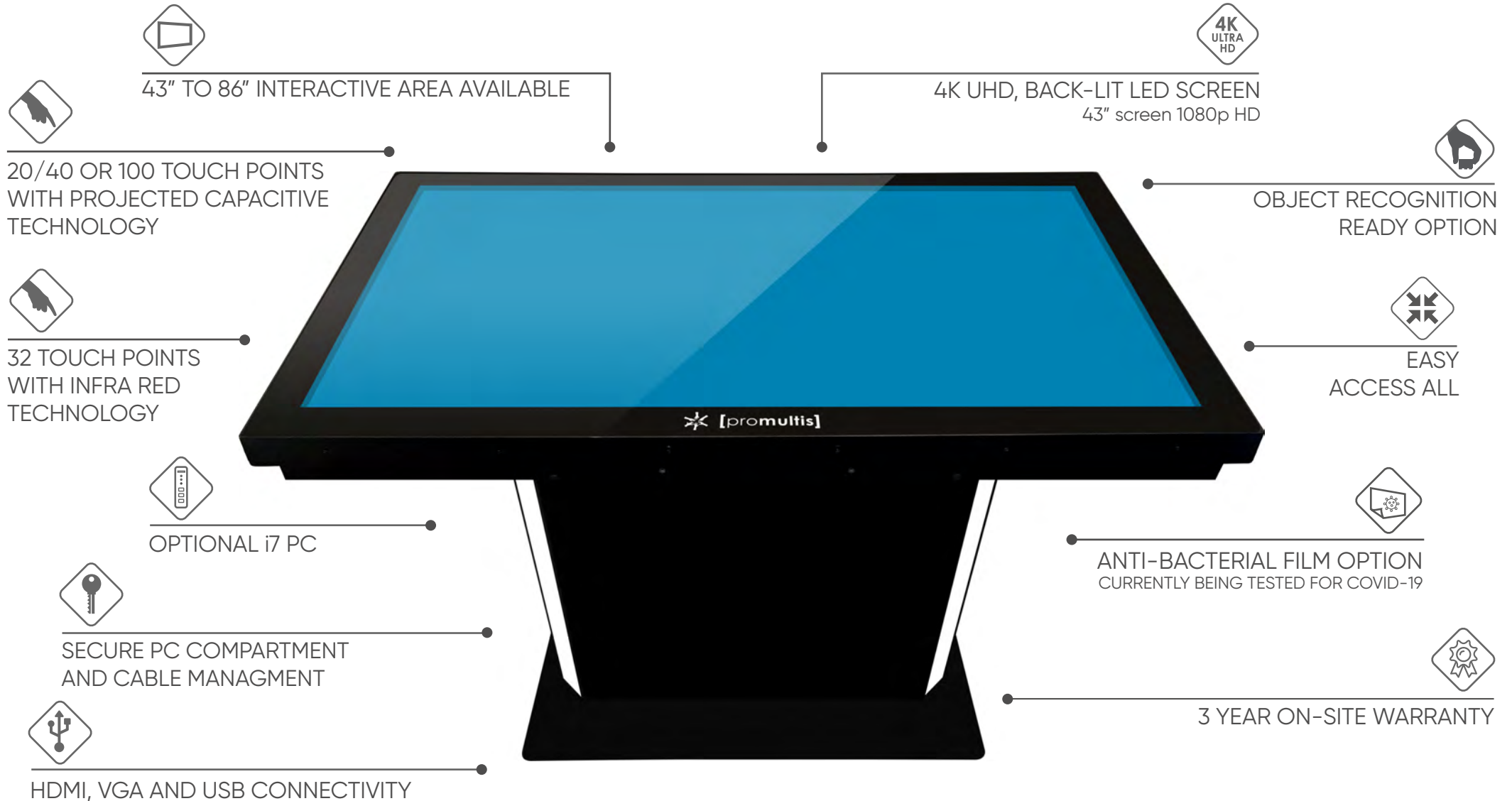




[promultis]

Uno Table

The Promultis Uno Table is a complete multi touch, collaborative interactive surface solution that integrates the latest touch screen technology into a table.



Note: Product design specifications including dimensions are subject to change without notice and may vary from those shown.

The Promultis Uno table is an robust and reliable, interactive table designed for easy access from all sides.

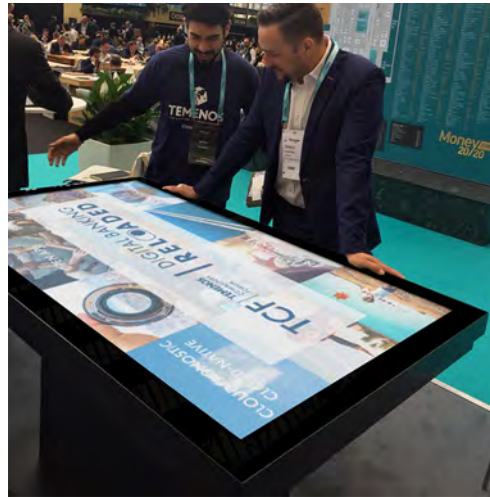
Choose a screen size ranging from a 43" 1080p HD screen all the way up to huge 86" 4K UHD screen available with either Projected Capacitive or Infrared touch technology.

Specifying the Promultis boxtop allows for a bezel-less, flat and level interactive surface using Projected Capacitive technology. All Promultis Lightning and Firebolt screens can be easily fixed to the base unit.

The accessibility makes this table an excellent choice for marketing suites and exhibitions where client interaction is key.

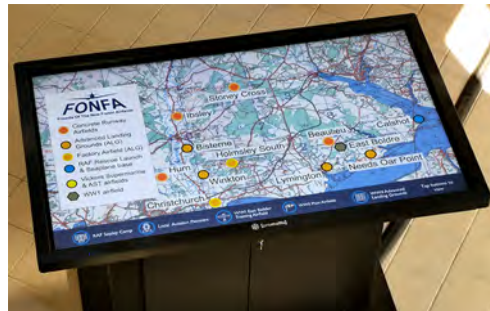
Promultis uno tables are ideal for:

- Marketing Suites
- Events
- Exhibition Stands
- Museums
- Libraries



Secure PC and cable management

With multiple HDMI connections, you can use the supplied PC or plug in your own device. Housed in the central column which has a lockable cabinet for security and cable management.



Immerse Bespoke Interactive Software from Promultis

Promultis offers a bespoke software creation service where our software development team will create a multitouch interactive experience to run on your touch table. Visit our website at <https://immerse.promultis.info/> for example applications and case studies.

Colour and applied graphics

The Uno Table is available in a variety of colours. Specify a colour for the angled panels to contrast the colour of the main unit. In addition, the table can be vinyl wrapped with graphics of your choosing. Select a colour for the screen bezel and add your logo.



Software options

The Snowflake Suite Ultimate is perfect for education and training, its fully featured with all over 52 apps, including presentation, creativity and productivity tools, as well as games. It is intuitive and easy to use and customisable to suit your needs.

Interactive surface area

The table provides a large working surface area allowing several users to collaborate all at the same time. Users can control the content they see by using natural gestures such as pinch, zoom and drag.



Object Recognition Ready

Object recognition is the ability to drop an interactive puck onto the screen and the screen to react to that object and display relevant content such as videos, pictures and graphics. Promultis offers an object recognition software service detailed on the Immerse website.

CHASSIS FEATURES	
Materials	Aluminium
Glass type	Toughened
Base unit	Cable Management and PC shelf
Base	Plate or curved feet
PANEL	
Interactive area	43" 49" 55" 65" 75" 86"
Panel resolution	1080p HD or 4K UHD 3840 x 2160
Native resolution	1920 x 1080 or 3840 x 2160 60Hz
Brightness (nits)	450
Contrast ratio	1500 to 1
Response time	6ms
Aspect ratio	16x9
Viewing angle	178° / 178°
Pixel pitch	0.744 (mm)
LCD Illumination	Backlit LED
Speaker	10W x2
ENVIRONMENT	
Operating temperature	50°F to 104°F (10°C to 40°C)
Operating Humidity	10% to 80%, non-condensing
Storage Temperature	-4°F to 113°F (-20°C to 45°C)
Storage Humidity	5% to 95%, non-condensing
SHIPPED WITH	
Cables	Power USB HDMI
Remote control	Included
User manual	Included
WARRANTY	
3 year repair or replace warranty as standard	
Extended warranties and SLAs available at an additional cost	

INFRA RED TOUCH	
Touch Points	32
Touch sensitive to	Finger, Opaque object, Stylus
Sunlight Sensitivity	Can be used in direct sunlight
Interpolation	32,768x32,768
Response time	Repeated touch <6ms
Drift	None
Temperature	-20°C~60°C
Accuracy	±2mm
Interface	USB-2
Relative Humidity	10%~90%RH
Supported	OS Windows, MAC, Linux, Android
PROJECTED CAPACITIVE	
Detection method	Projected Capacitive
Input method	Finger and gloved finger
Number of simultaneous touches	20/40 & 100
Noise Shielding	DISPLAX XTR-Shield™ Plus, a proprietary noise filtering technology
Aspect ratio	16:9
Controller	Printed circuit board with mini USB connector
Adhesive	Permanent
Interface	HID
OS with multitouch	Windows 8.1, 8, 7, 10; Ubuntu 12.04; Android; Chrome OS
OS with single touch	Mac OS X Yosemite
OS with mouse emulation	Spinetix Media Player HMP 200
Data connectivity	USB 2.0
Touch accuracy	1mm absolute

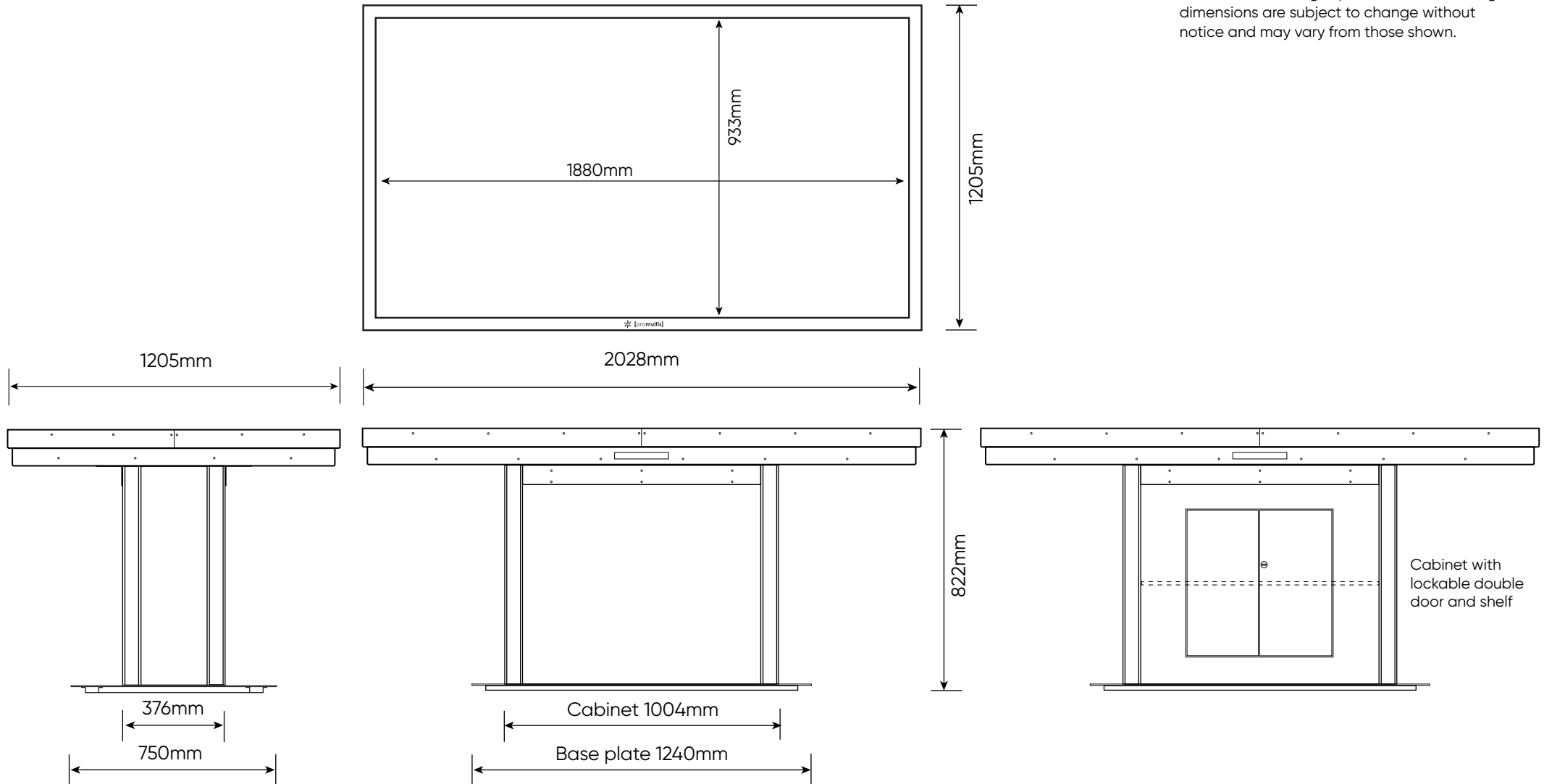
PERFORMANCE	
Substrate thickness	Up to 6mm
Touch response	5 milliseconds
Calibration	Available using control panel: no drift
POWER CONSUMPTION	
Average power consumption (P)	USB powered @ 5V
	Peak consumption: 410 mA
	Operation consumption: 370mA
RELIABILITY	
Operating temperature range	-20°C to 70°C
Operating humidity range	0% to 96%
Life time expectancy	Unlimited
Controller life time expectancy	1 million hours





[promultis]

85" Uno Table with projected capacitive interactive area

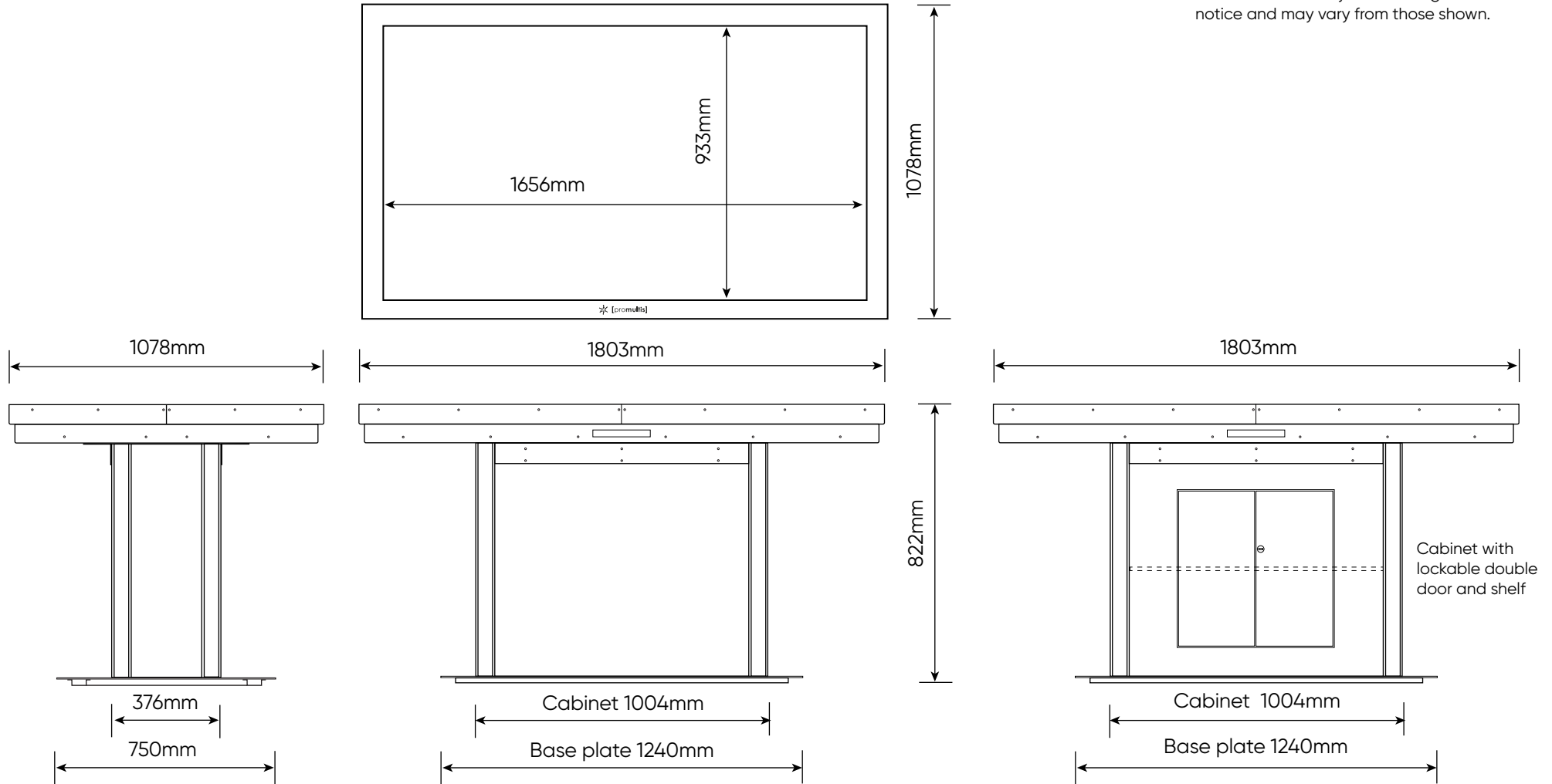




[promultis]

75" Uno Table with projected capacitive interactive area

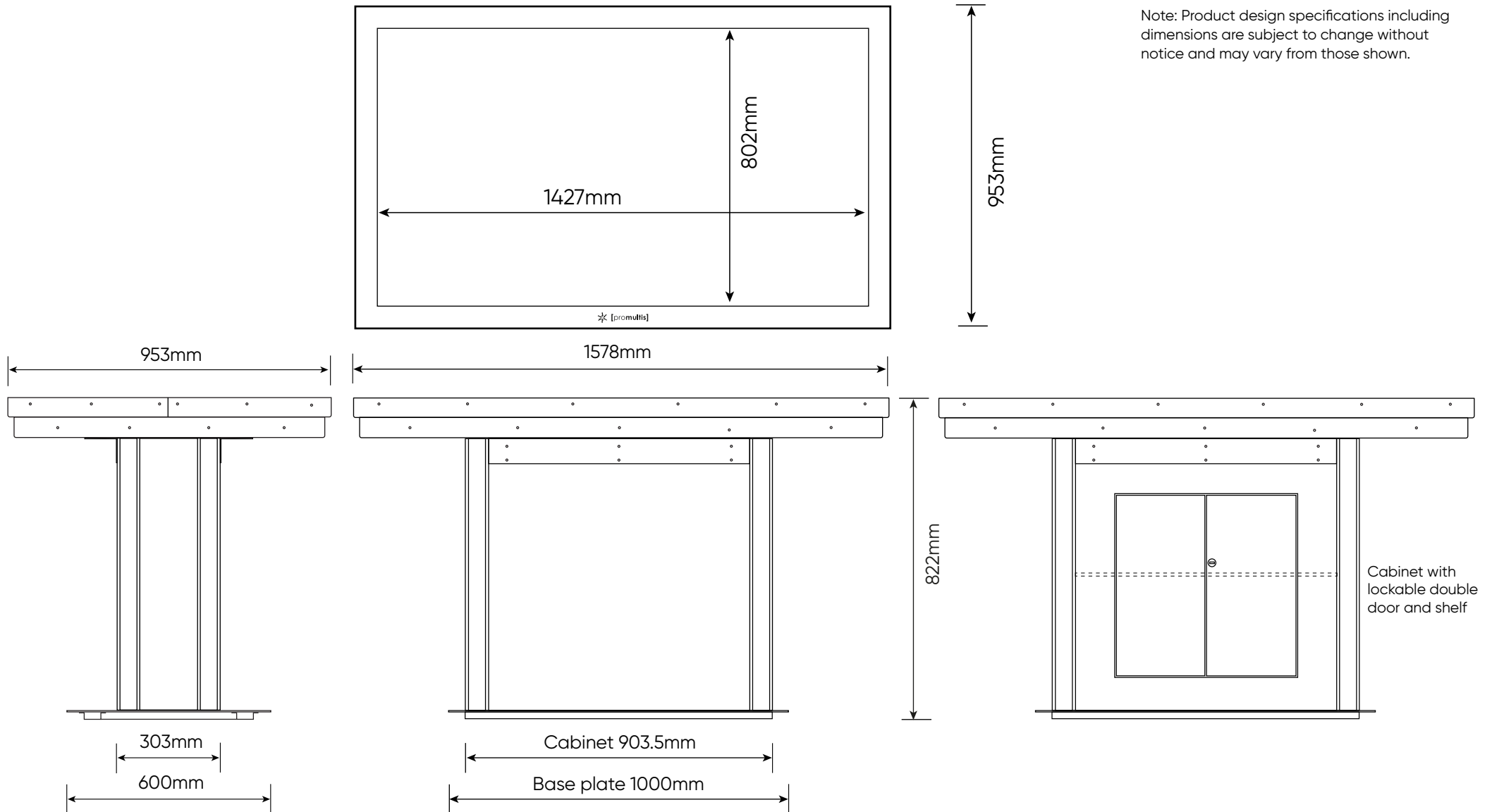
Note: Product design specifications including dimensions are subject to change without notice and may vary from those shown.





[promultis]

65" Uno Table with projected capacitive interactive area

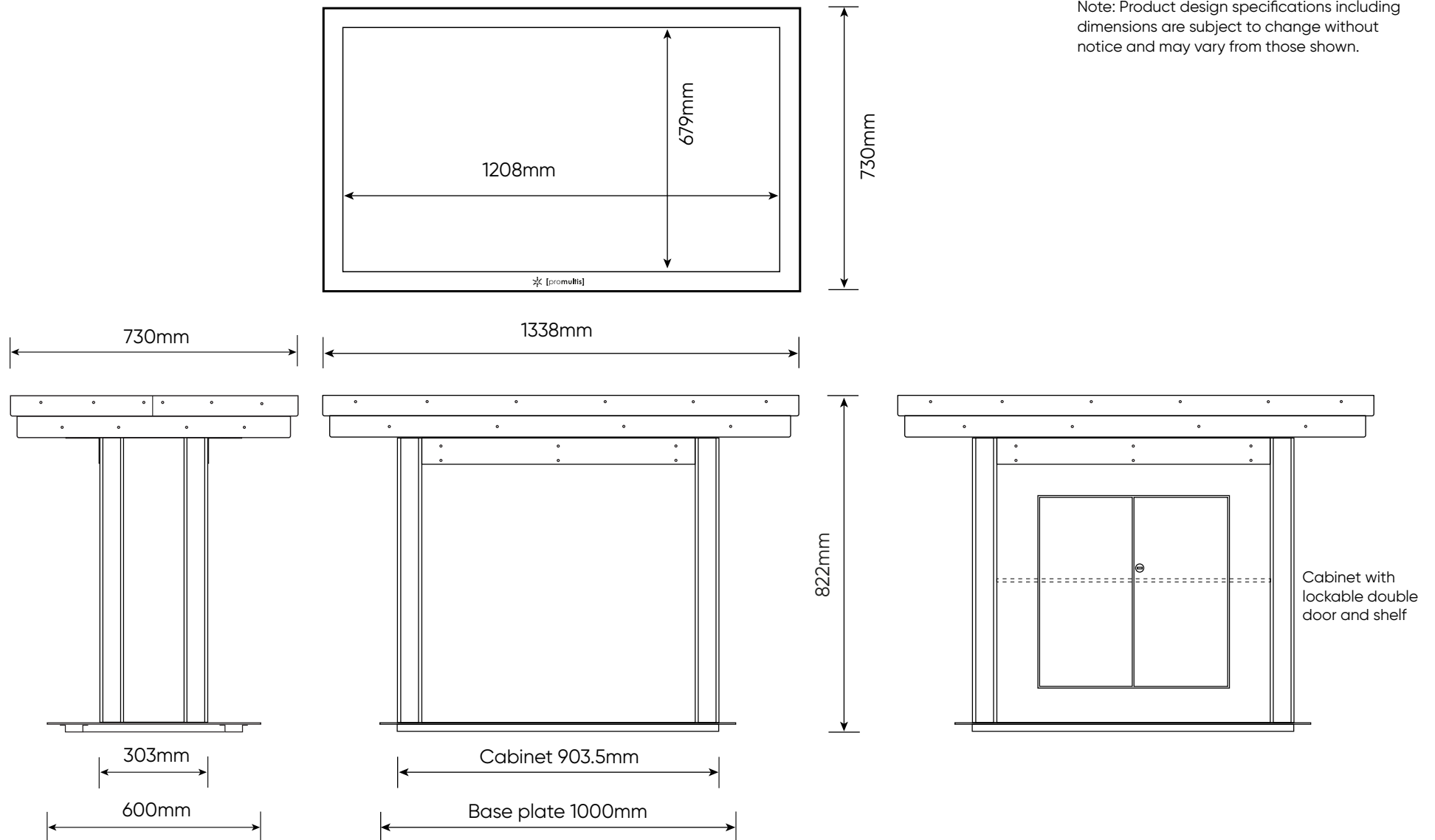




[promultis]

55" Uno Table with projected capacitive interactive area

Note: Product design specifications including dimensions are subject to change without notice and may vary from those shown.

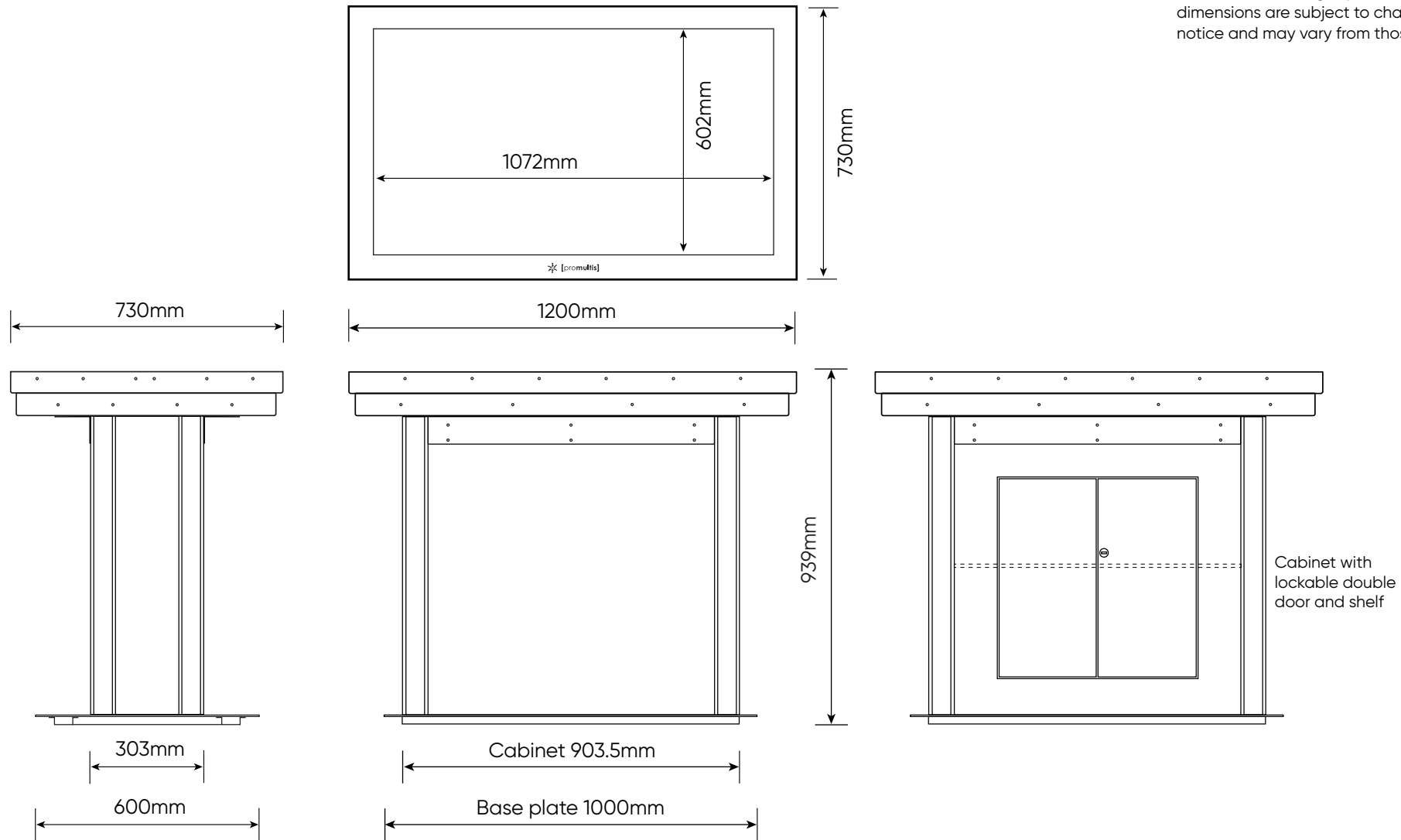




[promultis]

49" Uno Table with projected capacitive interactive area

Note: Product design specifications including dimensions are subject to change without notice and may vary from those shown.

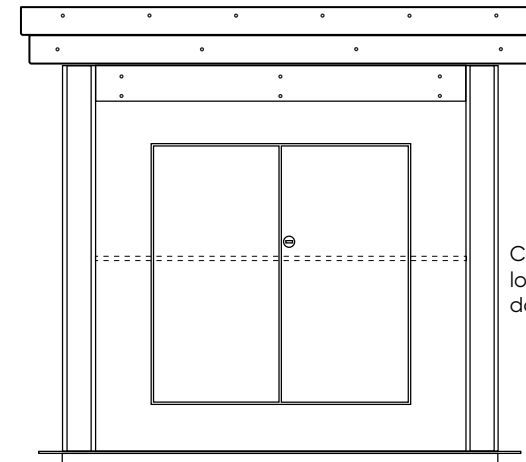
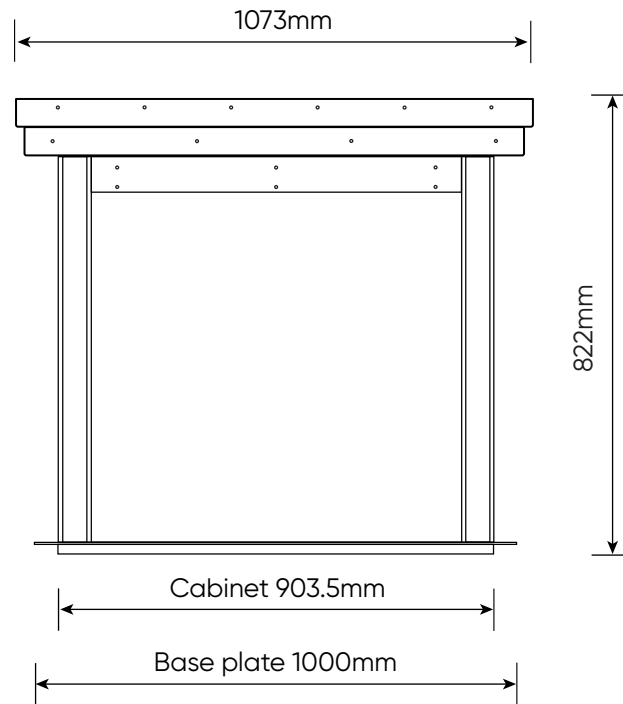
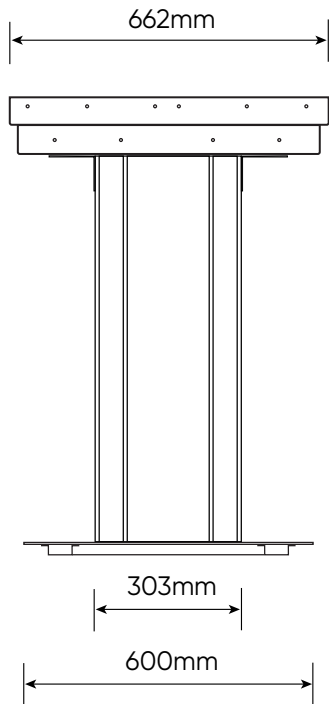
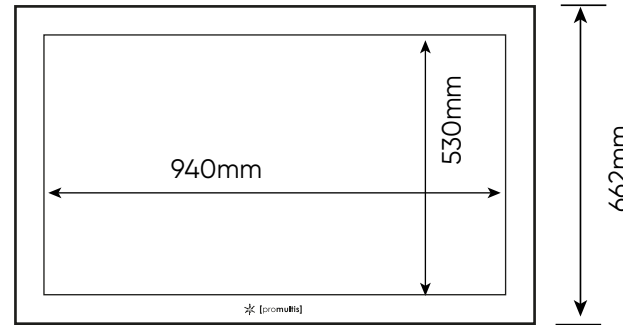




[promultis]

43" Uno Table with projected capacitive interactive area

Note: Product design specifications including dimensions are subject to change without notice and may vary from those shown.



Cabinet with lockable double door and shelf