



[promultis]

Varitilt Mobile Table

Electric height and tilt adjustable collaborative table with easy access from all sides. Ideal for Care Homes, Conference Rooms, Hospitality Suites & Training Areas.

43" TO 55" INTERACTIVE AREA

10, 20 OR 100 TOUCH POINTS WITH PROJECTED CAPACITIVE TECHNOLOGY

32 TOUCH POINTS WITH INFRARED TECHNOLOGY

OPTIONAL I7 PC

ELECTRIC HEIGHT AND TILT ADJUSTABLE

HDMI AND USB CONNECTIVITY

EASY ACCESS ALL SIDES

4K UHD, BACK-LIT LED SCREEN

OPTIONAL INTEGRATED ANDROID USE WITHOUT A CONNECTED PC

ANTI-BACTERIAL FILM OPTION CURRENTLY BEING TESTED FOR COVID-19

BATTERY OPTION

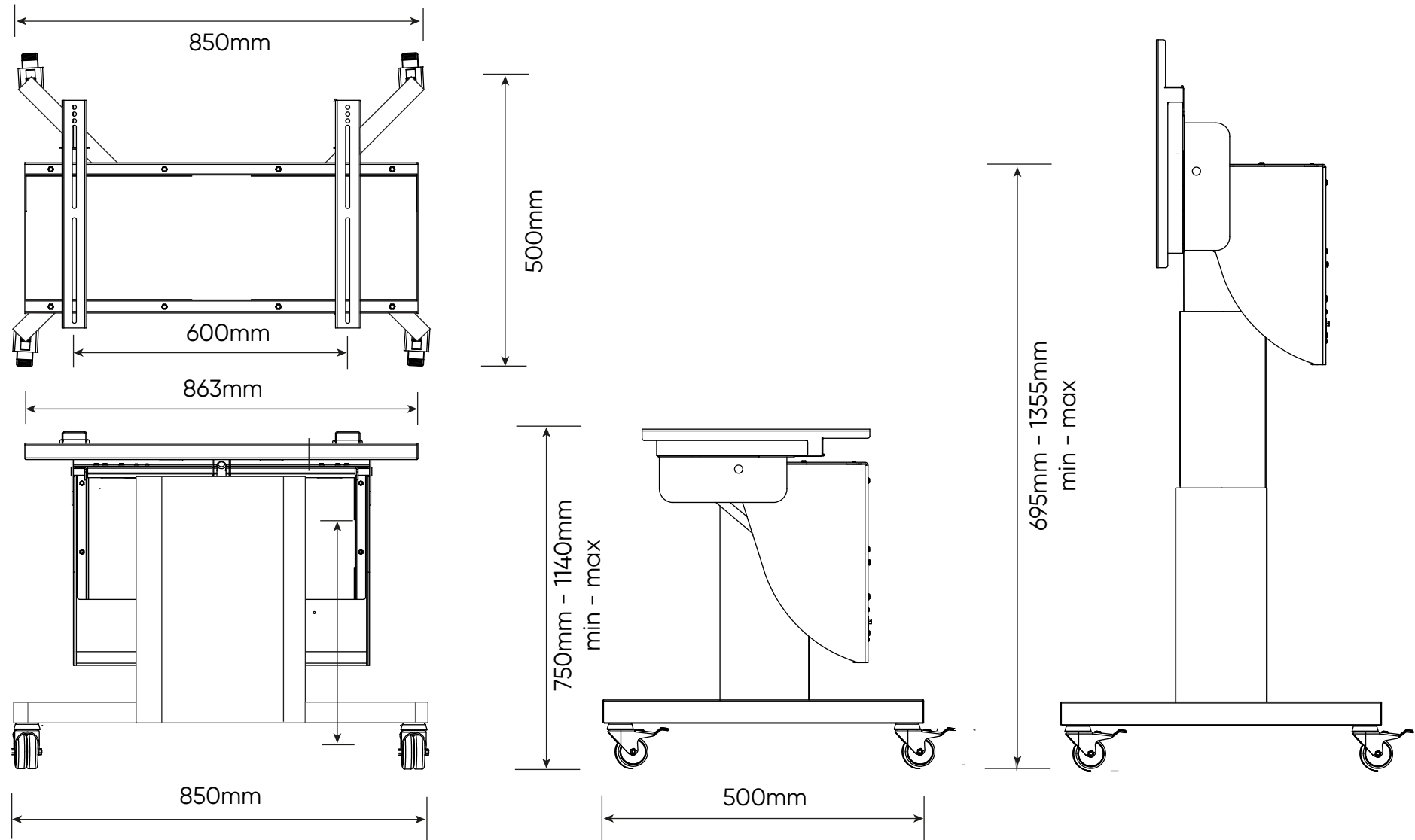
3 YEAR ON-SITE WARRANTY

Note: Product design specifications including dimensions are subject to change without notice and may vary from those shown.



[promultis]

Varitilt trolley



[promultis]
MULTITOUCH SOLUTIONS

For more exciting multitouch products visit
www.promultis.info
or call +44 (0) 239 251 2794

43" Electra Touch Screen

DISPLAY PANEL

| | |
|---------------------------------|----------------------------|
| Screen Size | 43" TFT-LCD |
| Display area | 941mm (W) x 529mm (H) 16:9 |
| Maximum Resolution | 3840 x 2160 4K UHD |
| Display color | 16.7M |
| Pixel Pitch(mm) | 0.63 (H) x 0.63 (V) |
| Brightness (cd/m ²) | 500cd/m ² |
| Contrast (Type) | 3000 : 1 |
| Visual angle | 178°/178° |
| Response time | 5ms |
| Life (hrs) | >60,000 (hrs) |

TOUCH

| | |
|-----------------------|----------------------|
| Detection Method | Projected Capacitive |
| Available Touch Point | 10 Point |
| Response Time (Type) | <= 10 ms |
| Positioning | ±2mms |
| Transmittance | ≥92% |
| Hardness | 7H |

MECHANICAL

| | |
|------------------|-----------------------------------|
| Monitor Size | 1010mm (w) x 597mm (h) x 65mm (d) |
| Colour | Black |
| Case | Metal Case SPCC |
| Certificate | CE FCC |
| Quality Standard | ISO9001,CCC |
| Weight | 75Kg |

CONNECTIVITY

| | |
|------------------|-----------------------|
| HDMI | 1 |
| USB | 1 (USB2.0 interface) |
| VGA | 1 |
| L/R audio input | 1 (RCA*2) |
| L/R audio output | 1 (RCA*2) |
| Speaker | 2×5W(9Ω) |

POWER

| | |
|---------------------------|------------------------|
| Input Voltage | AC100 ~ 240V 50 /60 HZ |
| Maximum power consumption | ≤220W |
| Standby power consumption | <5W |

TEMPERATURE

| | |
|---------------------|--------------|
| Working temperature | 0°C ~ 50°C |
| Storage temperature | -20°C ~ 60°C |
| Working humidity | 85% |
| Storage humidity | 85% |

PRE-LOADED SOFTWARE

| | |
|---------------------|--------------------------------------|
| Whiteboard Software | Android & Windows versions available |
|---------------------|--------------------------------------|

WARRANTY

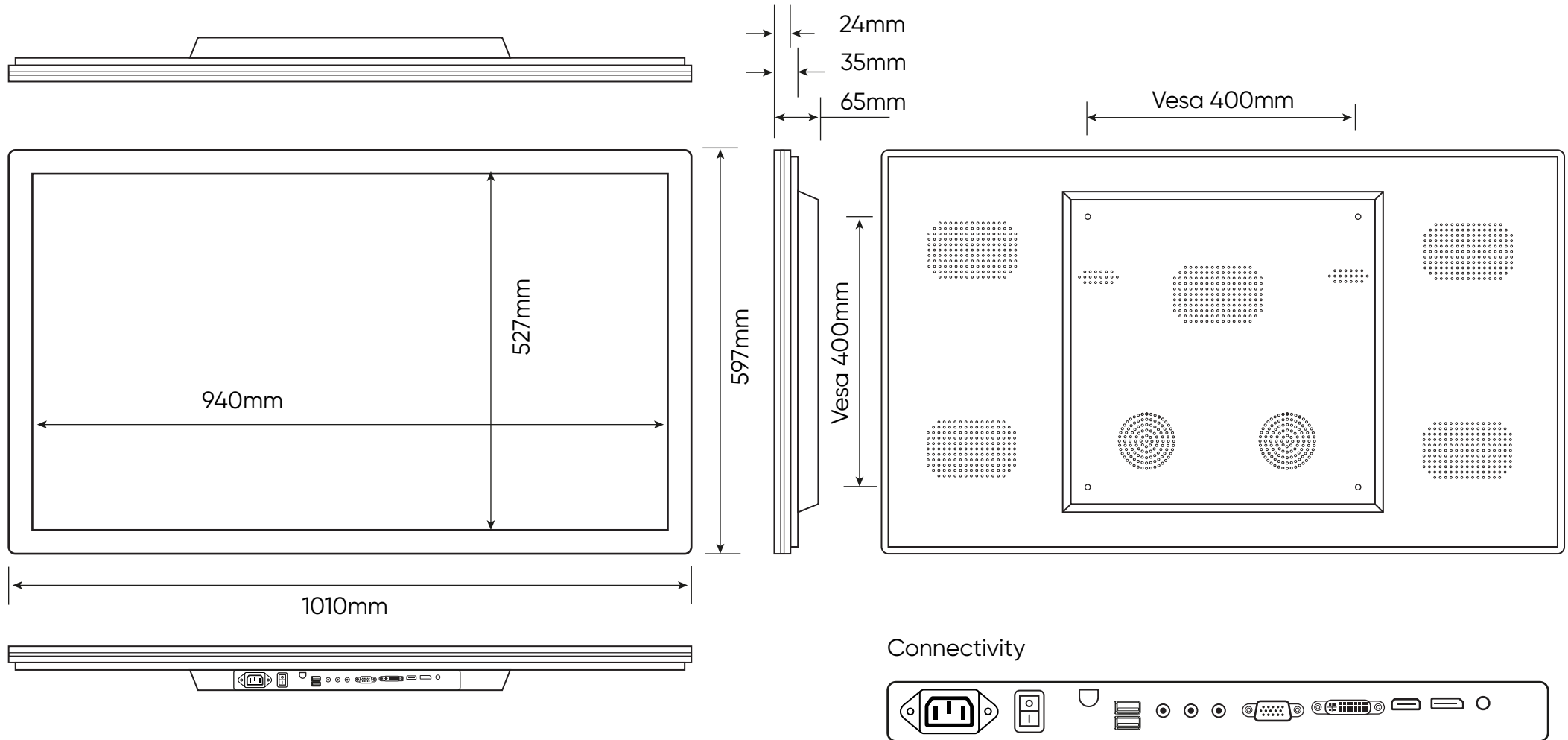
| |
|---|
| 3 year on-site warranty as standard |
| Extended warranties and SLA's available at an additional cost |

Note: Product design specifications including dimensions are subject to change without notice and may vary from those shown.



[promultis]

43inch Electra Touch Screen with Projected Capacitive Technology



Note: Product design specifications including dimensions are subject to change without notice and may vary from those shown.



[promultis]
MULTITOUCH SOLUTIONS

For more exciting multitouch products visit
www.promultis.info
or call +44 (0) 239 251 2794

55" Lightning III Touch Screen

Dimensions

| | |
|----------------|--------------------|
| Width | 1311 mm |
| Height | 783 mm |
| Depth | 112.7 mm |
| Weight | 40 kg |
| Visible screen | 1209.6mm x 680.4mm |

Display

| | |
|------------------------|-----------------------|
| Touch points | 32 |
| Screen Type | LED Backlit |
| Aspect ratio | 16:9 |
| Resolution | Full HD |
| Pixels | 1920 x 1080 |
| Android OS | Yes |
| Brightness | 350 cd/m ² |
| Contrast | 1400 |
| Response Time | 8ms |
| Number of Colours | 16.7M (8-bit) |
| Refreshing Frequency | 60Hz |
| View Angle | 178/178 |
| Service Life (Minimum) | > 30,000 hrs |

Touch System

| | |
|---------------------------|--|
| Sensing Type | Infrared System (32 point operation : 65 FHD modle 10 point) |
| Response Time | <10ms(typ) |
| Response Area | >=Ø3ms |
| Reported Touch Resolution | 32768x32768 (with driver) : 7680x4320 (without driver) |
| Communication Mode | USB |

Ambient Conditions

| | |
|-----------------------|--------------|
| Operation Temperature | 0°C-40°C |
| Operation Humidity | 10% - 90% RH |
| Storage Temperature | -20°C-60°C |
| Storage Humidity | 10% - 90% RH |

Main Board Module

| | |
|--------------------------|-------|
| Main Chipset Manufacture | MSTAR |
|--------------------------|-------|

Audio

| | |
|---------------------------|-------------|
| Max Audio Output (THD=7%) | 15Wx2+20Wx1 |
|---------------------------|-------------|

Connectivity

| | |
|-----------------------------------|---|
| Composite Video Input (Mini Jack) | 1 |
| Composite Audio Input (Mini Jack) | 3 |
| Component Video input(Mini Jack) | 0 |
| Component Audio Input (Mini Jack) | 0 |
| S-video Input | 0 |
| VGA Input:(D-sub) | 3 |

Note: Product design specifications including dimensions are subject to change without notice and may vary from those shown.

| | |
|---|----------------------|
| VGA Output:(D-sub) | 1 |
| VGA Audio Input | 3 |
| VGA Audio Output (Mini Jack) | 0 |
| HDMI Input | 2 (Support 4K Input) |
| DP Input | 1 |
| A/V Output (Mini Jack) | 0 |
| Earphone Jack | 1 |
| RS-232C(Type) | 1 |
| SPDIF Output(Optical/ Coaxial) | 1 (Optical) |
| USB 2.0 | 1 (Side) +2 (Front) |
| USB 3.0 | 2 |
| USB2.0 for camera For Android & Windows | 1 |
| LAN(RJ45) | 1 |
| Updating interface | USB |
| WAN(RJ45)In | 1 |
| WIFI router | 1 (A/B/G/N) |

Supplied Accessories

AC Power Cable / Operating Instructions / Quick Start Guide / Writing Pen / Remote Control / VGA Cable / USB Cable / HDMI Cable / Guarantee Card

Warranty

3 year on-site warranty as standard

Extended warranties and SLA's available at an additional cost

Android OS

| | |
|----------------|---------------------|
| System Version | Android 5.01 |
| CPU | ARM Cortex A53 1.5G |
| GPU | Mali450x4 |
| RAM | 2GB |

Optional USFF PC integration in rear

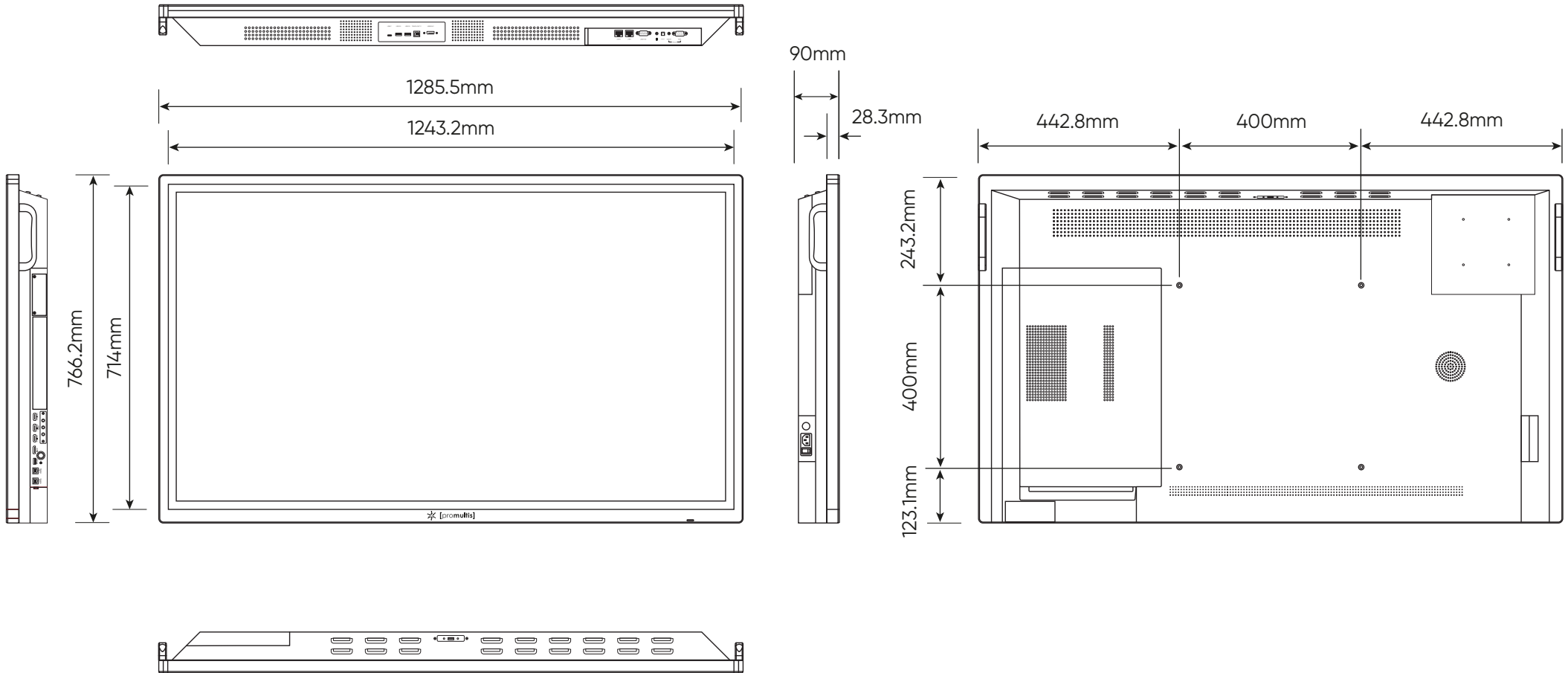
| | |
|----------------|---|
| Processor | Intel i7 |
| Graphics | 2GB Dedicated |
| Sound Card | Integrated High Definition Audio Stereo |
| Networking | Integrated 10/100/1000M Adaption |
| Memory | 8GB DDR3 |
| Hard Drive | M.2 128GB SSD |
| WIFI | 802.11b/g/n /802.11a/b/g/n (optional) |
| USB(A) | 6(4 for USB2.0 2 for USB3.0) |
| Microphone In | 1 |
| Earphone Out | 1 |
| HDMI | 1 |
| Mini DP | 1 |
| Lan Port(RJ45) | 1 |
| VGA Out | 1 |

Note: Product design specifications including dimensions are subject to change without notice and may vary from those shown.



[promultis]

55 inch Lightning III Touch Screen with Infrared Technology



Note: Product design specifications including dimensions are subject to change without notice and may vary from those shown.

55" TAB Touch Screen

CHASSIS FEATURES

| | |
|------------|-----------|
| Materials | Aluminum |
| Glass type | Toughened |

PANEL

| | |
|-------------------|---------------------------------|
| Interactive area | 55" |
| Panel resolution | 1080p Full HD or 4K UHD |
| Native resolution | 1920 x 1080 or 3840 x 2160 60Hz |
| Brightness (nits) | 450 |
| Contrast ratio | 1500 to 1 |
| Response time | 6ms |
| Aspect ratio | 16x9 |
| Viewing angle | 178° / 178° |
| Pixel pitch | 0.744 (mm) |
| LCD Illumination | Backlit LED |
| Speaker | 10W x2 |

ENVIRONMENT

| | |
|-----------------------|-------------------------------|
| Operating temperature | 50°F to 104°F (10°C to 40°C) |
| Operating Humidity | 10% to 80%, non-condensing |
| Storage Temperature | -4°F to 113°F (-20°C to 45°C) |
| Storage Humidity | 5% to 95%, non-condensing |

SHIPPED WITH

| | |
|----------------|--------------------|
| Cables | Power USB HDMI |
| Remote control | Included |
| User manual | Included |

WARRANTY

3 year on-site warranty as standard

PROJECTED CAPACITIVE

| | |
|--------------------------------|--|
| Detection method | Projected Capacitive |
| Input method | Finger and gloved finger |
| Number of simultaneous touches | 10, 20 or 100 touches |
| Noise Shielding | DISPLAX XTR-Shield™ Plus, a proprietary noise filtering technology |
| Aspect ratio | 16:9 |
| Controller | Printed circuit board with mini USB connector |
| Adhesive | Permanent |
| Interface | HID |
| OS with multitouch | Windows 8.1, 8, 7, 10; Ubuntu 12.04; Android; Chrome OS |
| OS with single touch | Mac OS X Yosemite |
| OS with mouse emulation | Spinetix Media Player HMP 200 |
| Data connectivity | USB 2.0 |
| Touch accuracy | 1mm absolute |

PERFORMANCE

| | |
|---------------------|---|
| Substrate thickness | Up to 6mm |
| Touch response | 5 milliseconds |
| Calibration | Available using control panel: no drift |

POWER CONSUMPTION

| | |
|-------------------------------|------------------------------|
| Average power consumption (P) | USB powered @ 5V |
| | Peak consumption: 410 mA |
| | Operation consumption: 370mA |

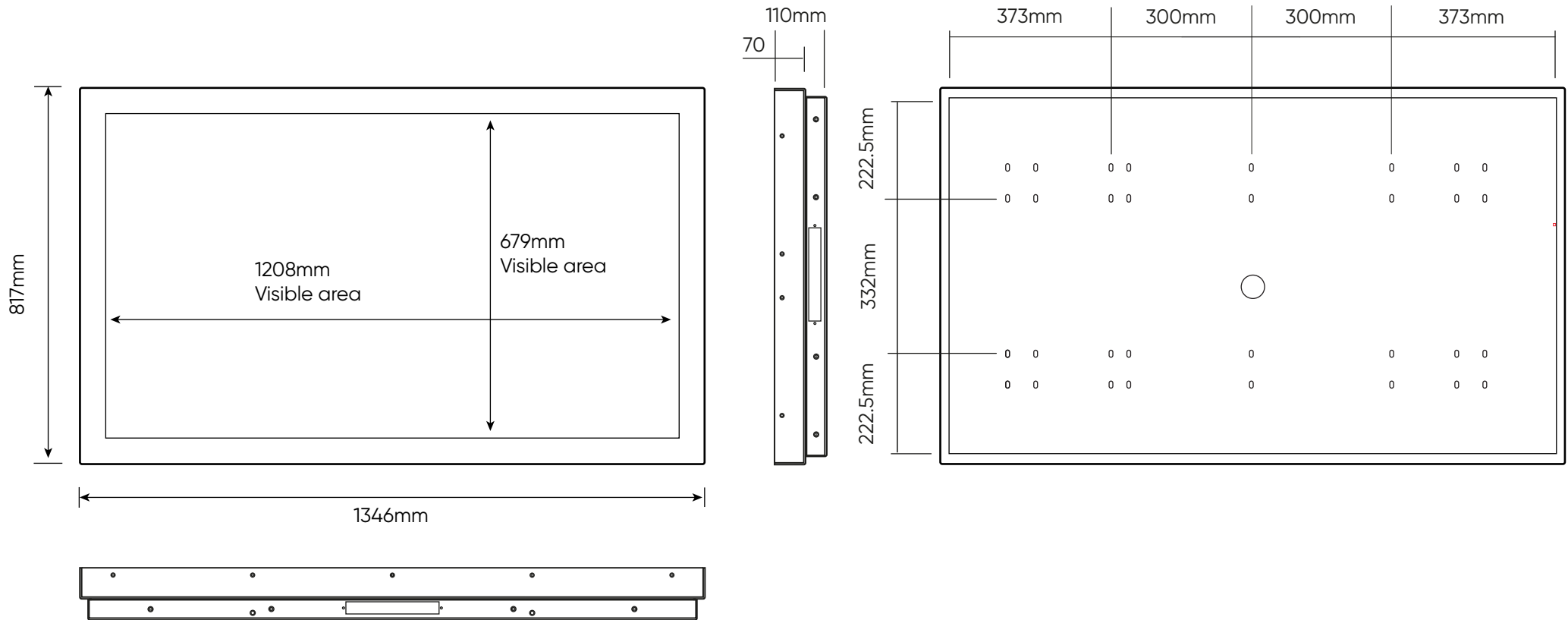
RELIABILITY

| | |
|---------------------------------|-----------------|
| Operating temperature range | -20°C to 70°C |
| Operating humidity range | 0% to 96% |
| Life time expectancy | Unlimited |
| Controller life time expectancy | 1 million hours |



[promultis]

55" TAB Box Top Projected Capacitive Touch Screen



Note: Product design specifications including dimensions are subject to change without notice and may vary from those shown.